

REGULAR PAPER

Development of a morphing UAV for optimal multi-segment mission performance

A. Gatto 

Brunel University London, Uxbridge, Middlesex, UB8 3PH, UK
Email: Alvin.Gatto@brunel.ac.uk

Received: 4 January 2022; **Revised:** 11 August 2022; **Accepted:** 11 November 2022

Keywords: Morphing; Unmanned aerial vehicles; Wing warping; Active twist control

Abstract

The need for innovative solutions to enable aerial platforms to fly faster, higher, and longer continues to remain a primary focus for airframe designers. This paper outlines work undertaken to apply a morphing wing warping technology onto a generic Unmanned Aerial Vehicle to deliver enhanced flight performance, efficiency and control capabilities. The prototype employs wings of novel construction which provide both near resistance-free compliance in twist as well as adequate structural stiffness to resist applied loads; all while preserving an aerodynamically smooth surface. Used in combination with developed and integrated closed-loop feedback control architecture, a real-time, non-linear, span-wise wing twist adjustment capability required for optimised flight under differing operating conditions and flight requirements, is demonstrated. Experimental results obtained from a wind tunnel test program show up to a 72% increase in lift to drag ratio under certain conditions compared to a fixed baseline providing some confidence that the combination could be used to realise a step change in flight performance.

Nomenclature

b	wing span; m
c	wing chord, m
\bar{c}	mean aerodynamic chord, m
C_D	drag coefficient
C_L	lift coefficient
C_l	rolling moment coefficient
C'_l	sectional lift coefficient
C_{l_y}, C_{l_ξ}	roll control power for morphing and baseline configurations
e	error
h	height from ground to top of vertical tail in a stationary position, m
K_P, K_I, K_D	proportional, integral and derivative constants
l	model length, m
L_e	length along wing span from tip, m
m	model mass, kg
p	roll rate, deg/s
p'	non-dimensional roll rate
P	pressure, Pa
Re_n	Reynolds number
S	wing area, m
t	time, s

T	temperature, °C
V	velocity, m/s
y	distance along wing span from centreline, m

Greek symbols

α	angle-of-attack, deg
Δ	change or difference from mean unless otherwise indicated
ξ	aileron deflection, deg
γ	wing section twist, deg
η	elevator deflection, deg
ρ	density, kg/m ³
ζ	rudder deflection, deg
Σ	sum

Subscripts

i	i^{th} chordwise wing location
n	n^{th} spanwise wing location
m	manoeuvre
max	maximum
stall	stall conditions
TRIM	aircraft trim condition
RMS	root-mean square
tip	wing tip location
∞	freestream conditions

1. Introduction

The increasing prevalence of Unmanned Aerial Vehicles (UAVs) into the defence and security sectors continues unabated. From the first platforms tasked solely with intelligence, surveillance and reconnaissance (ISR) [1]; to present day logistics support and offensive, weapon-capable variants [1]; to future sea and land-based vehicle concepts currently being developed [2], UAVs are set to dominate forthcoming aerial doctrine. Of critical importance to their mission is the need for highly capable, efficient, and effective aerial systems that can travel further, persist longer, carry greater payload, and possess high manoeuvrability during execution of mission critical objectives. Civilian applications including law enforcement, search and rescue, agriculture and supply logistics are equally important. All these systems will be vital to preserving future defence, security and economic interests.

A ‘Morphing UAV’, or a UAV possessing the ability to seamlessly modify and adapt itself geometrically to changing conditions and requirements in flight, can offer several enhancements. Such platforms possess the ability to transform (in real-time) to an optimal configuration irrespective of flight condition leading to significantly improved vehicle performance and efficiency [3]. Unfortunately, within today’s modern flight environment, this capability remains technically challenging and still out of reach. This is borne about by a critical need for any prospective design to meet conflicting design requirements. Principally, it must be both structurally stiff (to resist loads) while also compliant (to allow change) [4–6]. Maintaining surface continuity before, during and after transition (to achieve best aerodynamic performance) further complicates this trade-off [4, 6, 7].

If such challenges can be overcome however, the capability to morph promises a step change in aerial capability. Previous conceptual, laboratory and wind tunnel work on various fixed and rotary wing platforms, as well as limited full-scale flight testing, have established improvements in vehicle

performance, efficiency, manoeuvrability [3–9], structural weight savings [3, 5, 8, 10], improved stability and gust load alleviation characteristics [4, 5], reduced manoeuvre loads [3, 5, 10], better aeroelasticity capabilities [3] as well as enhanced redundancy via distributed actuation [3–6]. Practicality remains the primary issue [4, 8].

One of the most effectual morphing ideas is ‘wing-warping’, or the ability to actively change the spanwise wing twist distribution (hereafter also referred to as Active Twist Control or ATC). The Wright flyer [11] demonstrated this most notably, but the advent of discrete control surfaces (or DCS - i.e. ailerons, elevators and rudder) soon superseded this technology as faster, more capable aircraft requiring stronger and stiffer structures were developed [12]. DCS use is now almost universal. Despite their popularity however, DCS remain a sub-optimal solution. Deflection in flight often promotes premature flow separation (at the hinge line through strong adverse pressure gradient development) reducing overall effectiveness and efficiency [4, 8, 13]. Significant complexity [14, 15], increased weight [3, 5, 10, 14, 15] and susceptibility to aeroelastic divergence are further deficiencies [3, 5, 16].

Many of these problems are overcome with ATC. Moreover, while the effectiveness of ATC for attitude control is well-known, other equally transformative benefits are yet to be fully exploited. Among the most significant is the ability to tailor and optimise spanwise wing twist (and therefore the lift distribution) to meet differing flight conditions and mission requirements [3, 9, 10, 17]. Current fixed-wing aircraft possess only a limited ability to achieve such capabilities, with an overall design typically neither optimal nor ideal, but based on a set of concessions within broader operational needs [4, 18, 19]. Given any increase in lift-to-drag ratio represents commensurate increases in range and endurance [20], saves otherwise used fuel, ultimately reducing operational costs, maximising this capability could represent a potentially disruptive advance in achievable aerial effectiveness. This paper will assess this capability using an ATC technology applied to a small-scale UAV platform within a wind tunnel environment. The initial design rationale, development and integration are all considered, with performance and control benefits against an unmodified baseline, quantified and evaluated.

2. The active twist control concept

The basic premise of the ATC concept used (Fig. 1) is to construct a portion of the wing using multiple, small thickness, rigid rib sections, positioned directly adjacent, that are free to rotate relative to one another. This relative movement facilitates the change in twist distribution over the combined assembly while maintaining a rigid and smooth surface. Internally, the structure also incorporates multiple span-wise rods (front and rear indicated) positioned around the periphery of each rib profile providing structural stiffness, rib alignment and edge surface continuity. In the initial embodiment from a previous preliminary investigation [21] highlighted in Fig. 1, a servo-driven torque tube positioned at the quarter chord provided twist actuation. This tube was connected to a terminating wing-tip end section that transferred torque to all subsequent inboard elements. Overall, this initial work demonstrated suitability for purpose with application within a realistic flight environment also validated [22].

3. Morphing UAV design, setup, and configuration

3.1. Baseline UAV platform

The UAV platform chosen as the baseline for this work was an Extreme Flight[®] Extra 300 EXP manufactured by Extreme Flight RC[®] [23] shown in Fig. 2. The model has a wingspan of 1320mm (52 inches), length of 1302mm, and a nominal flying mass, depending on setup, of between 1.7 and 1.8kg. The model is constructed from interlocking laser cut balsa wood and plywood, carbon longerons, fibreglass and a carbon U-channel landing gear. It is classified as an ‘aerobatic’ model aircraft with a wide range of capabilities up to and including aggressive flight manoeuvring. The ailerons extend up to 90% of the semi-span ($\approx 47\%$ max chord ratio) with full span elevators ($\approx 41\%$ max chord ratio)

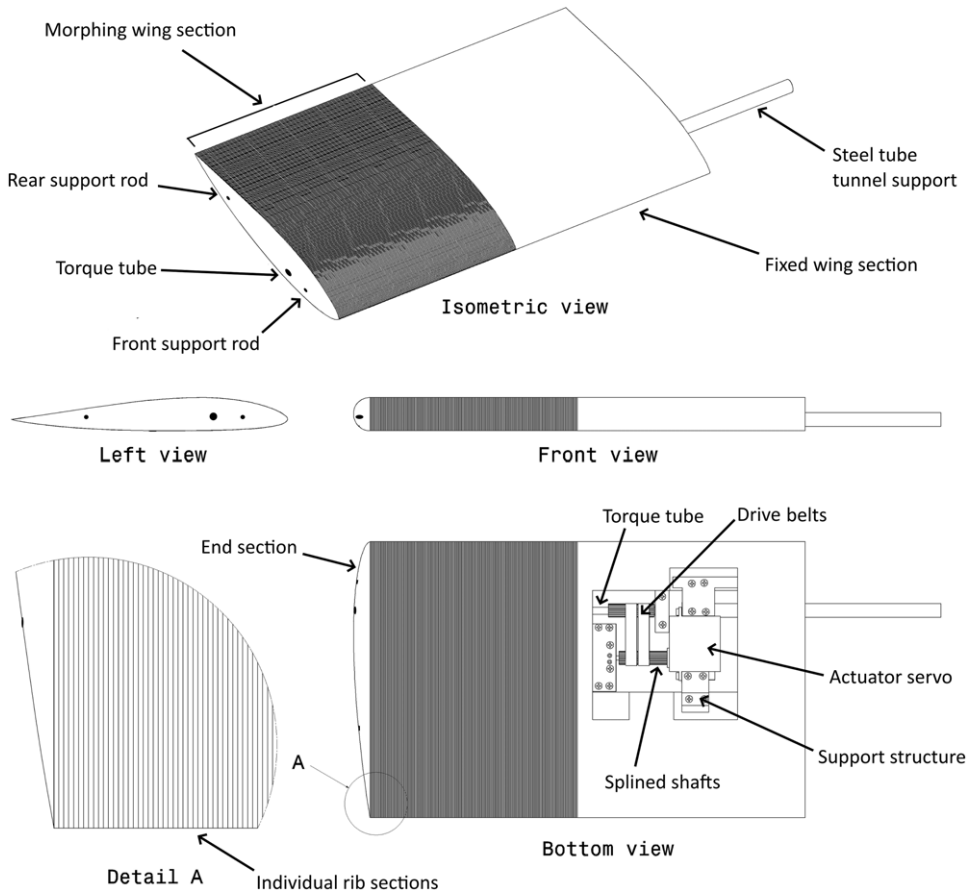


Figure 1. Details of the initial ATC concept developed including a close-up view (Detail A) of how the individual rib sections are assembled [21].

and rudder ($\approx 41\%$ max chord ratio); both the latter incorporating an unshielded horn balance. Primary propulsion is provided by a 14x7 Xor[®] propeller¹ and Xpwr[®] T3910 motor² combination connected to an Airboss[®] 80 Electronic Speed Controller³ (ESC) with an Overlander[®] 4S 2500-3300 mAh LiPo battery⁴ used for primary electromotive potential. Four Hitec HS-5087MH micro servos⁵ provide elevator, aileron and rudder deflection for primary flight control with the model chosen primarily based upon; (1) adequate size requirements for wind tunnel testing; (2) relative ease of modification, and; (3) the ability for assessment over a wide range of flight manoeuvres. Table 1 provides a summary of baseline characteristics with further details available from [23]. This information, together with more detailed measurements, were used to construct a Computer Aided Design (CAD) model for subsequent use within the design process.

¹<https://www.xoarintl.com/rc-propellers/electric-props/PJN-Electric-Beechwood-Propeller/>. Accessed 11/08/22.

²https://extremeflightrc.com/Xpwr-T3910-Motor_p_2442.html. Accessed 11/08/22. Accessed 11/08/22.

³https://extremeflightrc.com/Extreme-Flight-RC-Airboss-80A-Elite-ESC_p_1707.html. Accessed 11/08/22.

⁴<https://www.overlander.co.uk/3300mah-14-8v-4s-80c-extreme-pro-lipo-battery.html>. Accessed 11/08/22.

⁵<https://hitecrcd.com/products/servos/digital/micro-mini-wing/hs-5087mh/product>. Accessed 11/08/22



Figure 2. Baseline UAV platform chosen [23].

3.2. Morphing UAV prototype design

3.2.1. Computational setup, analysis and validation

The design of the morphing UAV involved adoption of several computational tools to predict probable aerodynamic and structural performance metrics. ANSYS Fluent[®] and Athena Vortex lattice [24] were the two main aerodynamic tools used; the former primarily to calibrate, verify and validate the latter, with ANSYS[®] workbench used for estimating structural loads and deflection magnitudes. Several design iterations encompassing both steps were employed to achieve the final configuration presented.

The first step in the design process was to obtain basic aerodynamic characteristics of the baseline model using CFD. This analysis was conducted in ANSYS Fluent[®] and utilised a steady-state Reynolds-Averaged Navier-Stokes solution (RANS) incorporating the $k-\epsilon$ realisable closure model (with enhanced wall treatment) conducted at standard sea-level conditions ($\rho = 1.225\text{kg/m}^3$, $P_\infty = 101.325\text{kPa}$, $T_\infty = 15^\circ\text{C}$). The freestream velocity was set to $V_\infty = 30\text{m/s}$ for all computations using a velocity inlet condition with a pressure outlet at flow exit also specified. A second-order upwind spatial discretisation scheme with SIMPLEC pressure-velocity coupling was also used.

A hybrid mesh encompassing both structured hexahedral and unstructured triangular elements was constructed; the former used primarily adjacent to model surfaces to adequately resolve the boundary layer ($y^+ \approx 1$), with the latter, to characterise the wider external flow field. The model was positioned centrally within a rectangular cuboid farfield geometry $7.5b$ wide, $7.5b$ high, and $15b$ long, with the model spinner located $3.75b$ downstream of the inlet. No attempt was made to model the propeller geometry resulting in relevant wake effects being excluded. All model surfaces were specified as no-slip, with farfield walls given zero shear to negate the need to resolve the boundary layer reducing the number of elements required. The final grid configuration used was selected after a grid refinement study where both half and double that of the final element density selected (≈ 5 million) and farfield geometry size indicated both C_D and C_L variation of less than 1%; this typically occurring after less than 4,000 iterations. To assess change in angle-of-attack, the model was first rotated about its lateral axis before reconstructing the grid (freestream velocity being aligned to the farfield axial geometry). The angle-of-attack range considered extended from $0^\circ \leq \alpha \leq 20^\circ$ ($\Delta\alpha = 4^\circ$) with Fig. 3 providing grid detail ($y = 0$ – Fig. 3(a)) as well as an example surface pressure coefficient distribution at $\alpha = 4^\circ$ (Fig. 3(b)).

AVL [24] was used hereafter as the main aerodynamic design tool. This vortex lattice code provides both flight performance and mechanics predictions modelling lifting surfaces via an array of distributed horseshoe vortices on appropriately segmented panels. Various metrics are available using this code, however, estimating C_D requires a supplementary source for zero-lift drag coefficient (C_{D0}) [24, 25].

Table 1. List of UAV baseline dimensions and characteristics used for analysis

Wing span	1,320mm
Length	1,302mm
Height	450mm
Mass	1.7–1.8kg
Elevator deflection	$-40^\circ < \eta < 40^\circ$
Aileron deflection	$-45^\circ < \xi < 45^\circ$
Rudder deflection	$-40^\circ < \zeta < 40^\circ$
Nominal c.g position	≈ 92 mm behind leading edge at wing root

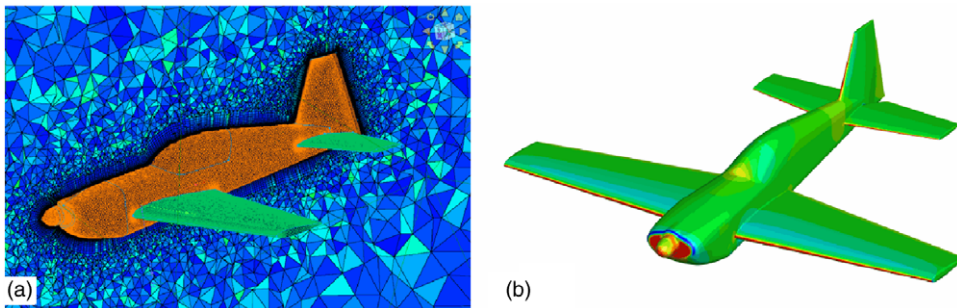


Figure 3. Baseline CFD at $\alpha = 4^\circ$; (a) Indicative grid slice at $y = 0$; (b) Surface pressure distribution.

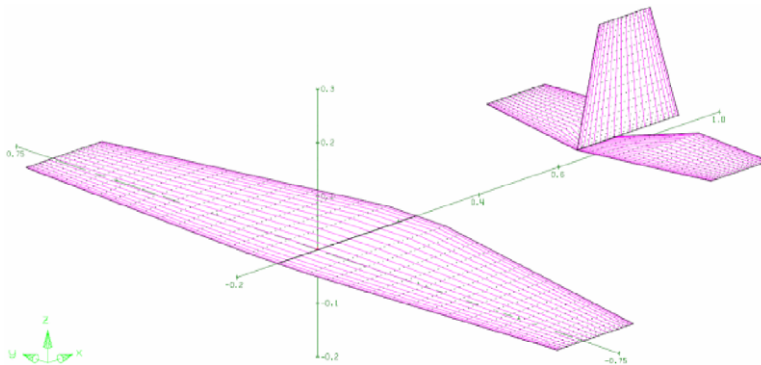


Figure 4. Layout of AVL model used.

This was supplied by the CFD discussed above. Each lifting surface was nominally segregated into 20 spanwise and 20 chordwise panels with a non-linear bias distribution towards external edges. Given AVL solution fidelity also tends to be more uncertain with fuselage inclusion [24], this influence was omitted (all surfaces were modelled as continuous across the symmetry plane). The flowfield is quasi-steady with similar flight conditions to those used in the CFD adopted ($0^\circ \leq \alpha \leq 16^\circ$, $\Delta\alpha = 4^\circ$). The final AVL model used is shown in Fig. 4. Subsequent comparisons between CFD and AVL analyses provided in Fig. 5 show generally good agreement up to $\alpha = 16^\circ$, with the latter over-predicting C_L by a maximum of 9%, and underpredicting C_D by 8%. This behaviour was somewhat expected given the limitations of AVL to adequately resolve flow separation [24].

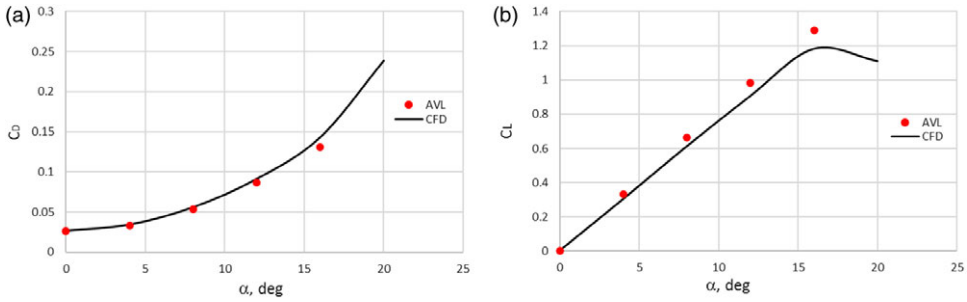


Figure 5. Comparison between Fluent and AVL baseline models; (a) C_D , (b) C_L .

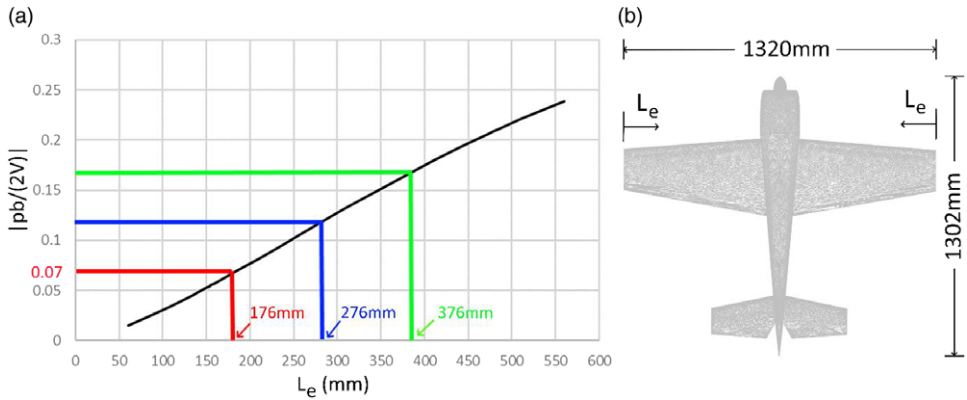


Figure 6. Influence of wing twist on the non-dimensional roll-rate magnitude.

3.3. Spanwise influence of morphing wing twist

To determine overall morphing configuration layout and dimensions along with baseline performance for comparisons, both morphing and baseline AVL models were developed; the former using an imposed linear wing twist spanwise distribution similar to [3], and the latter, embedded Ailerons, for roll control. For the former, Fig. 6 along with Table 2 quantifies the influence of wing segment length (L_e – see Fig. 6(b)) against calculated non-dimensional roll rate ($\dot{p} = pb/(2V)$) with a maximum $\gamma = 16^\circ$ deflection at the wing tip (aircraft trimmed about all 6 degrees of freedom). A design point of $\dot{p} = 0.07$ (≈ 180 deg/s) was chosen as a roll performance metric for both as this was expected to adequately demonstrate expected ATC capabilities as well as being approximately aligned with other typical aircraft configurations requiring aggressive manoeuvrability [5, 26]. Figure 6 indicates $L_e = 176$ mm achieves this level with the corresponding sectional lift coefficient distribution ($\alpha_{TRIM} \approx 1.13^\circ$) provided by AVL for both configurations highlighted in Figs. 7 and 8. These results show the clear differences in how differential lift production via the dissimilar sectional lift topologies generate rolling moment; morphing twist being concentrated at the wing tips, and ailerons of the baseline having a much more distributed impact. This comparison also allows a correlation between the two, providing an equivalent aileron deflection for comparable wing twist performance. These results are presented in Table 2 and show under these conditions that for $L_e = 176$ mm with $\gamma_{tip} = 16^\circ$ is equivalent to $\xi = 3.52^\circ$. Along with this comparison, additional spanwise locations were also calculated ($L_{e2} = 267$ mm, $L_{e3} = 367$ mm) and are also included in Table 2 and Fig. 6 to allow the ability for further enhanced roll control as well as localised spanwise adjustment and control of the lift distribution [17, 25]. These additional segment lengths were selected based on an iterative design loop tasked with minimising the number of spanwise actuation stations

Table 2. Predicted equivalence between aileron deflection and morphing wing twist performance

	Aileron deflection, ξ°	\dot{p}
Baseline	3.52	-0.07
	5.77	-0.115
	8.21	-0.163
Morphing station	Maximum wing tip twist, γ°	
$L_{e1} = 176\text{mm}$	16	-0.07
$L_{e2} = 276\text{mm}$	16	-0.115
$L_{e3} = 376\text{mm}$	16	-0.163

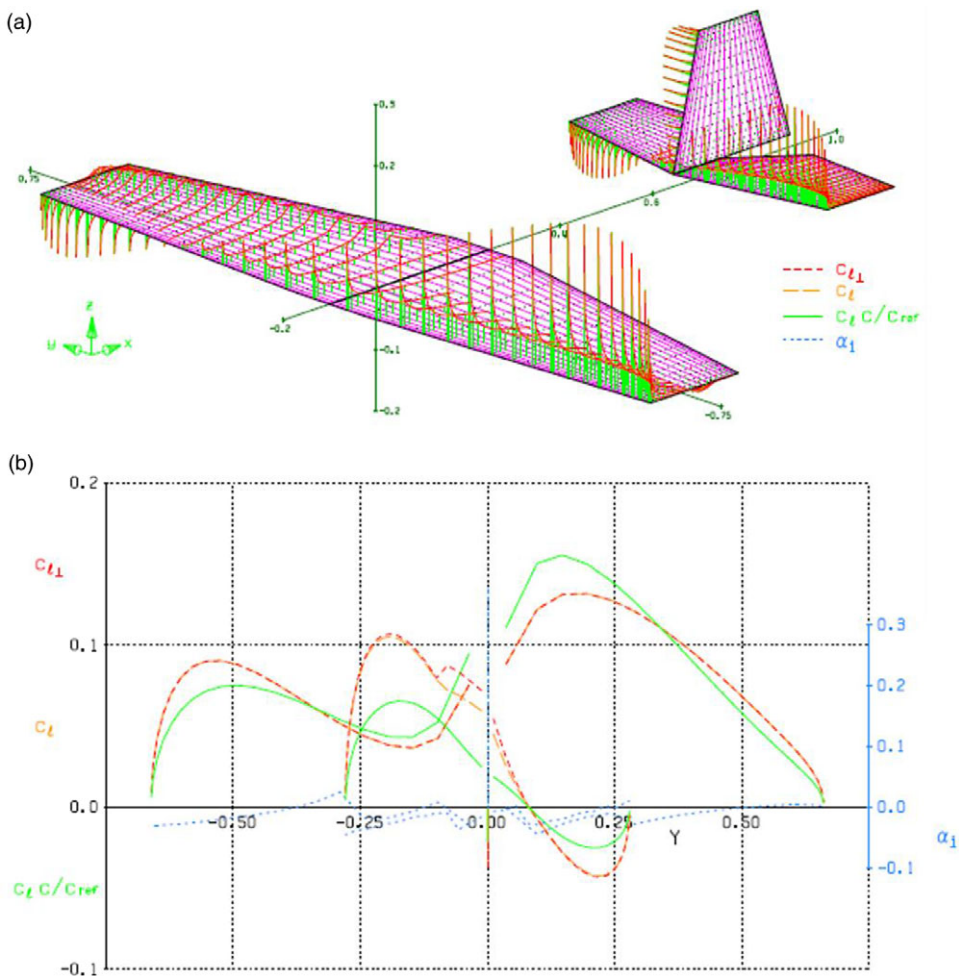


Figure 7. AVL Baseline configuration results for $\dot{p} = -0.07$; (a) Isometric, (b) 2D.

(to minimise weight and complexity) whilst maximising structural rigidity under aerodynamic loading. With all these three stations acting in unison with $\gamma_{tip} = 16^\circ$, predicted roll performance significantly improves to $|\dot{p}| = 0.163$, equivalent to a baseline aileron deflection of $\xi = 8.21^\circ$. A similar trend has been observed previously [9].

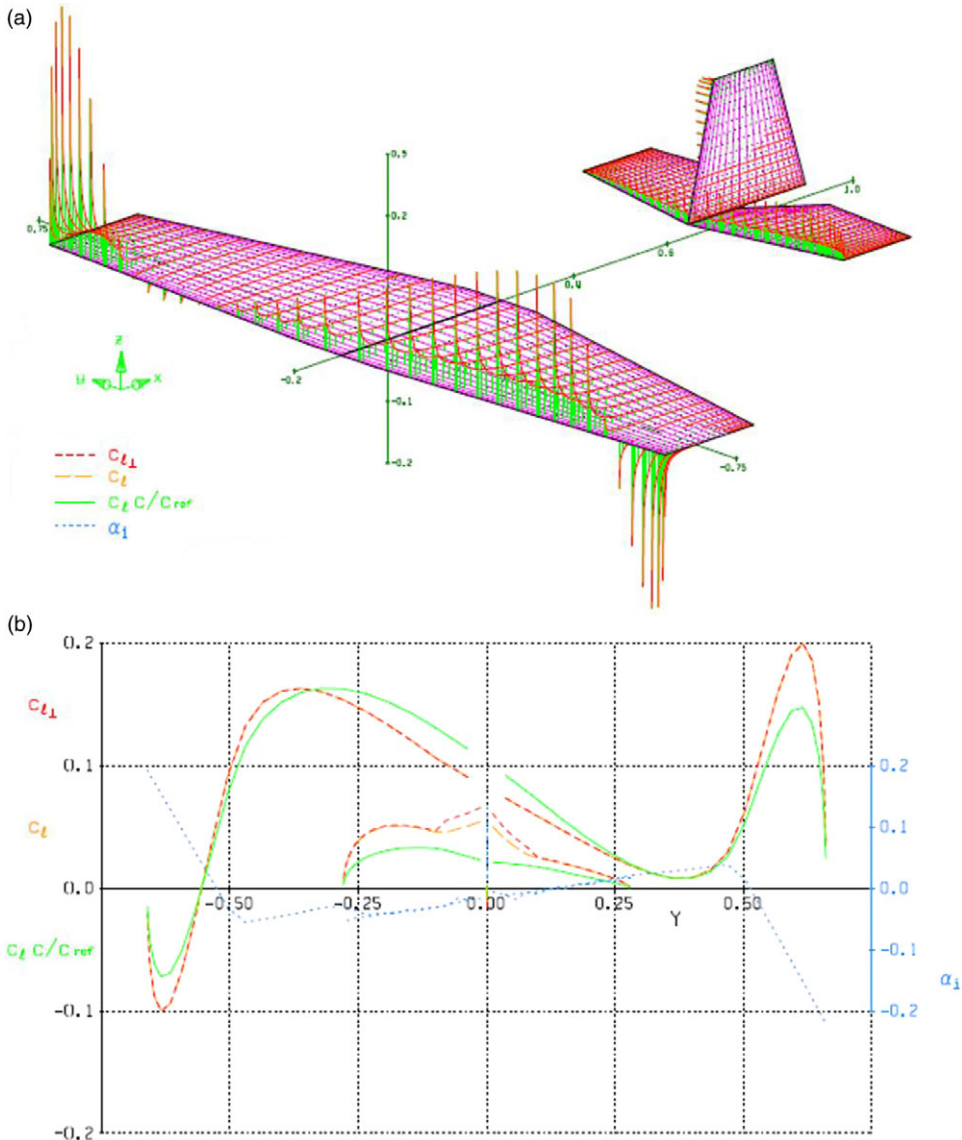


Figure 8. AVL morphing configuration results for $\dot{p} = -0.07$; (a) Isometric, (b) 2D.

3.4. Finite element analysis

A nonlinear static structural finite element model incorporating the full Newton-Raphson solution procedure was next constructed to estimate structural loads and displacement magnitudes on the morphing segment. Shown in Fig. 9, the decision to model only this section was made to minimise required overall grid size thereby minimising computational complexity and solution time. The mesh adopted composed primarily of structured hexahedral elements, used a nominal element growth rate of 1.2, with individual element sizes ranging from 0.2 to 1mm dependent on overall component dimension and functionality. This final grid contained 1.3 million elements, 7.7 million nodes, and 309 separate parts.

Only two sets of material properties, balsa wood and carbon fibre, were applied to components in this model; the former used on each 2mm thick rib, and the latter, on each of the 24, 0.5mm diameter stiffening rods and 12mm outer diameter torque tube (located at the quarter chord). As shown in

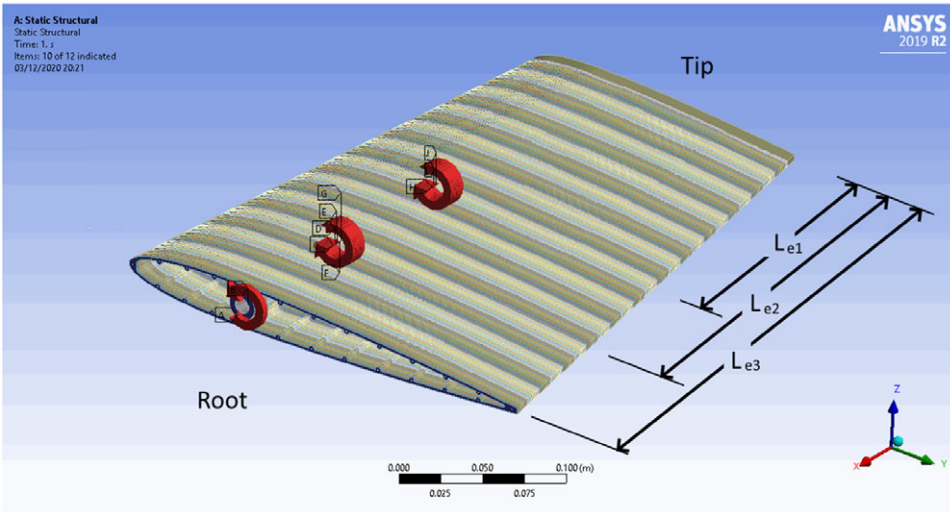


Figure 9. Example finite element model used for the morphing wing element.

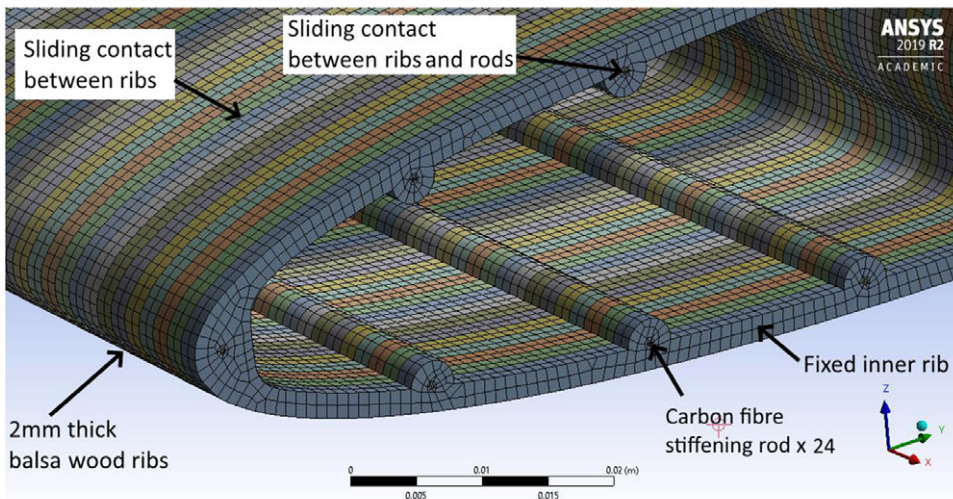


Figure 10. Detailed view of morphing wing FEA grid.

Fig. 10, these stiffening rods were equally distributed around the assembly (at rib periphery) and extended over the complete span. The application of 1.27Nm to a group of five individual ribs centred at positions L_{e1} and L_{e2} (see Fig. 9) provided actuation at these stations, with wingtip twist actuation facilitated by 6.35Nm applied to the central carbon fibre torque tube which extended over the complete span (see Fig. 9). This torque magnitude was selected based on the maximum available servomechanism to be used (see Section 3.7). All ribs were permitted to slide (with no separation and friction) relative to each other, the torque tube (via a hole in each corresponding rib), and stiffening rods, with bonded contacts applied between the torque tube, stiffening rods, terminating wingtip rib as well as the innermost rib. This rib, highlighted in Fig. 10, was fixed in position with incremental lift, drag and pitching moment contributions (obtained from AVL but not shown for clarity) also applied to each outer rib surface to simulate expected operating conditions.

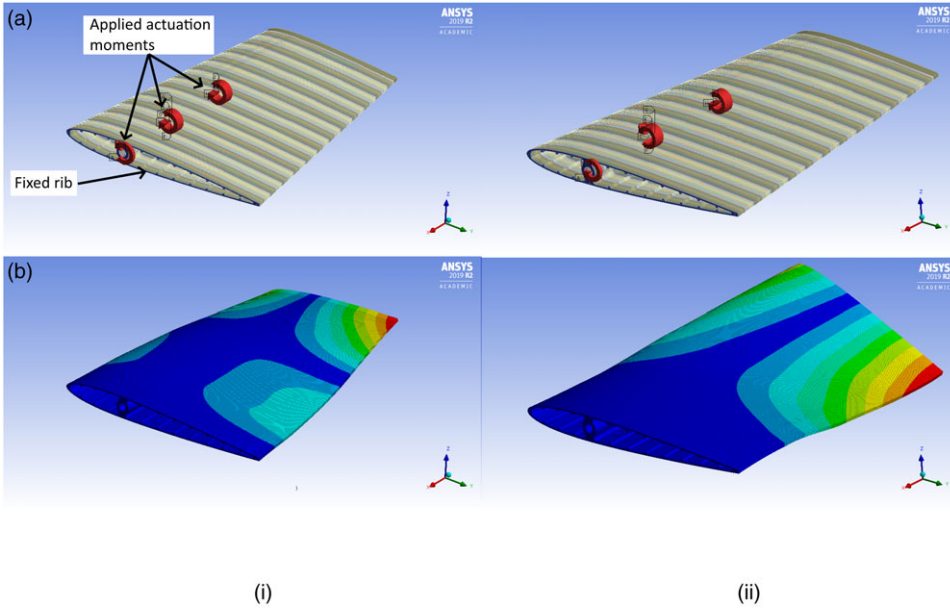


Figure 11. Two example FEA cases for the morphing section; (a) Configuration 1, (b) Configuration 3.

Figure 11 shows results obtained from two possible example cases with further permutations summarised in Table 3. Maximum twist magnitudes obtained range from $-1.89^\circ < \gamma < 4.88^\circ$ at L_{e2} , $-9.36^\circ < \gamma < 13.52^\circ$ at L_{e1} , and $-18.43^\circ < \gamma < 21.73^\circ$ at the wingtip(AS1-3 – see Fig. 12), highlighting the diversity of possible spanwise twist distributions available for tailoring the spanwise lift distribution.

3.5. Final morphing wing configuration and layout

These results provided the foundation for the construction of the morphing wing CAD design shown in Fig. 12. Overall, the design incorporates a morphing segment ($0.215 < y/b < 0.5$) with three independently actuated spanwise stations, together with a fixed, inboard section, for fuselage support. The three actuation stations are located at $y/b = 0.298$ (AS1), $y/b = 0.372$ (AS2) and at the wingtip ($y/b = 0.5$).

Four chordwise surface pressure stations designated PTS1-4 were also incorporated within the design to allow surface pressure measurement feedback. Two stations are coincident with AS1 and AS2 (PTS2 and PTS3 respectively) with PS4 positioned further outboard ($y/b = 0.445$). An additional inboard station (PTS1) was also installed at $y/b = 0.128$ (on the fixed portion) to provide a reference from which all other stations (PS2-4) could be compared (see Section 4). At each measurement position, a total of 14 individual pressure taps (7 top, 7 bottom) were embedded with an identical chordwise spatial distribution non-linearly bias towards the wing leading edge. This distribution is quantified in Table 4 (see also Fig. 16) and was used along with Equations (1) and (2) to resolve the sectional lift coefficient (C'_l) at each spanwise station. Subsequent assessment of C'_l measurement uncertainty was better than $\Delta C'_l = \pm 0.03$ with all 56 pressure lines (per wing) gaining access to the fuselage via the fixed wing segment.

$$(C'_N)_n = \sum_1^i (C_{p,l} - C_{p,u})_n d(x/c) \tag{1}$$

$$(C'_l)_n = (C'_N)_n \cos(\alpha + \gamma) (c_n/\bar{c}) \tag{2}$$

The means for independent spanwise twist control was provided by three concentric carbon-fibre torque tubes installed at the wing quarter-chord position. Each tube extended from the wing root to the

Table 3. Predicted and measured wing twist magnitudes for varying actuation configurations

Configuration	L_{e2}			L_{e1}			Wingtip		
	Moment (Nm)	γ°		Moment (Nm)	γ°		Moment (Nm)	γ°	
		FEA	Exp		FEA	Exp		FEA	Exp
0	0	0	0	0	0	0	6.35	13.5	14
1	6.35	1.8	2	6.35	1.4	3	-6.35	-7.7	-6
2	6.35	4.9	3	6.35	13.5	11	6.35	21.7	22
3	-6.35	1.9	1	6.35	9.4	8	6.35	18.4	18
4	-6.35	1.7	1	-6.35	3	4	6.35	11.3	10
5	-6.35	-1.5	1	6.35	-2.5	-1	-6.35	-11.3	-11
6	6.35	-1.9	-1	-6.35	-9.4	-7	-6.35	-18.4	-15

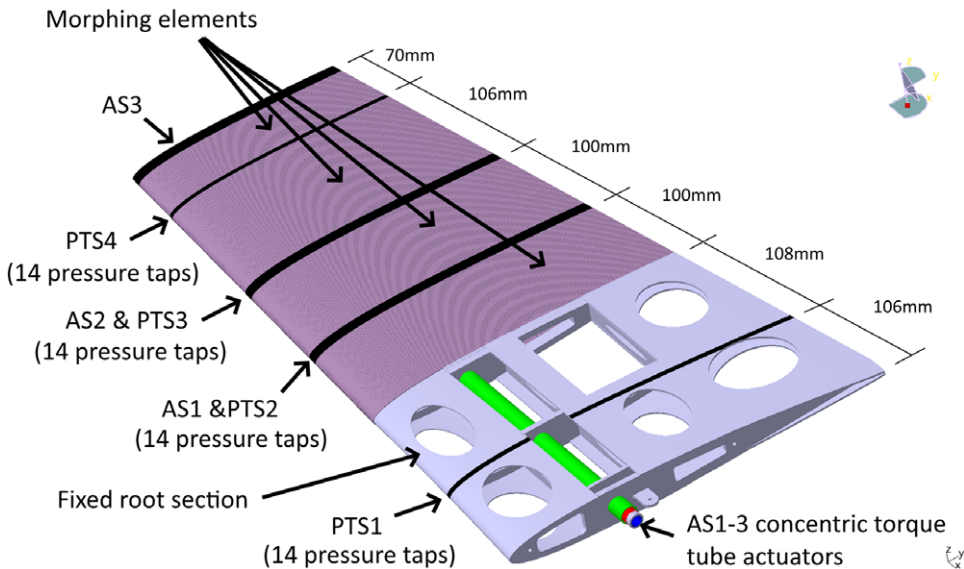


Figure 12. CAD model of morphing wing design (fixed section uncovered for clarity).

corresponding actuation 5-rib combination (AS1-3) where they were all bonded in place. Machined aluminium ferrules ensured adequate separation between each tube giving near-frictionless operation. The fixed portion of the wing was used to provide primary structural support to the outermost torque tube with each tube connected to its own, independently controlled, actuation mechanism (see Section 3.7).

3.6. Morphing wing limits and capabilities

Prior to wind tunnel testing, a calibration of localised wing twist at each station (AS1-3) against applied moment was experimentally assessed. Table 3 includes these results with all angular measurements obtained using a Eflight AnglePro II digital incidence meter with a precision of $\Delta\gamma = \pm 0.1^\circ$. Overall uncertainty in zero offset and hysteresis was $\Delta\gamma = \pm 2^\circ$.

As shown in Table 3, these results show good agreement with those obtained from the FEA analysis. As predicted by the FEA, maximum twist occurs with all stations acting in unison to produce

Table 4. Chordwise pressure tap locations used in the calculation of sectional lift coefficient

<i>x/c</i>						
0.019	0.063	0.125	0.219	0.375	0.541	0.821

$\gamma_{\text{tip}} = 22^\circ$ (Configuration 2). The consequence of reversing direction at AS1 is shown to reduce the maximum achievable ($\gamma_{\text{tip}} = 18^\circ$ – Configuration 3) with further decreases if direction at both AS1 and AS2 is reversed ($\gamma_{\text{tip}} = 10^\circ$ – Configuration 4). Application at AS3 only (Configuration 0) is shown to be marginally less ($\gamma_{\text{tip}} = 13.5^\circ$) than that used in the AVL analysis ($\gamma_{\text{tip}} = 16^\circ$ – see Section 3.2.1) likely resulting in actual roll performance being somewhat less than predicted. Further comparisons also highlight asymmetry based on applied moment direction (Configurations 3 and 6) as well as a general inter-dependence of any individual twist magnitude on the application status of the other two. Nevertheless, these experimental results again confirm the diversity of possible spanwise twist orientations available to the design with good agreement to those predicted by the FEA.

3.7. UAV platform re-design and modifications

A significant re-design of the baseline UAV internal structure was required to integrate each wing set. The primary modifications involved removal of the main fuselage brace and wing tube support to allow suitable access for the three-tier actuation system (AS1-3). These components, together with a carbon-fibre wing tube, provided primary resistance to wing-induced bending moment and needed a suitable replacement. Other elements to facilitate actuation, measurement and control feedback, also required integration with a final consideration being the need to incorporate the baseline wings within the same framework. The multi-tier actuation and control system is not required for the latter as pre-installed wing servos (at wing mid-span) are used for aileron control.

Internal design detail for each setup is shown in Figs. 13 and 14 (only starboard side components indicated). The basic philosophy behind the design was to split the original assembly along the aircraft centreline (port and starboard sections) while leaving front and rear frames, battery tray and frame braces unmodified. These provided a solid base for support while also allowing sufficient scope to add supplementary hardware and structural support to maintain adequate load transfer. This strategy also allowed positioning of linear accelerometer/gyro instrumentation at the aircraft centre of gravity for subsequent flight test analysis.

Figure 13 shows underlying detail for the baseline wing configuration. Dummy servo assemblies are used in this instance as the primary wing load transfer mechanism onto the fuselage through a truncated carbon fibre wing tube (made from the original) and a custom wing-root support structure assembly bonded to the fuselage. Both bottom and top support plates (latter not shown for clarity) were affixed to each wing root (port and starboard) and used as a mount for the two dummy servo structures. Each truncated wing tube terminated at the inner-most edge of these structures leaving a central 5mm gap to position a ICM20649 6-axis accelerometer and gyro combination. This sensor measured linear acceleration and angular velocity about all three axes within a range of ± 8 g and ± 500 deg/s respectively (uncertainty ± 0.03 g and ± 1 deg/s).

Figure 14 provides detail of the morphing wing setup. Much of the assembly remains common, with wing root support structures and top/bottom support plates again utilised. Three separate and independently controllable servomechanism systems (AS1-3) are shown. The first two, AS1-2, used modified Hitec HS5087MH servos to act as linear actuators, with the third, AS3 (Savox SB-2290SG), left unaltered. The need for the former was required due to use of two separate aluminium control horns to actuate each corresponding torque tube (see Figs. 12 and 14 – AS1-2). AS3 was coupled directly to the innermost torque tube via a splined adaptor (see Fig. 12 – AS3).

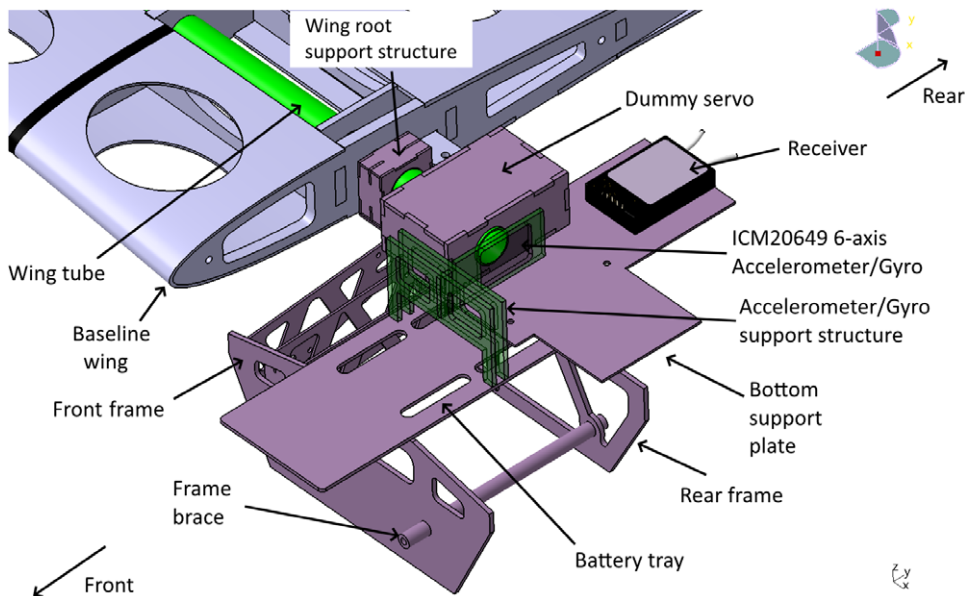


Figure 13. Internal design detail for the baseline wing setup (port side components and aircraft fuselage omitted for clarity).

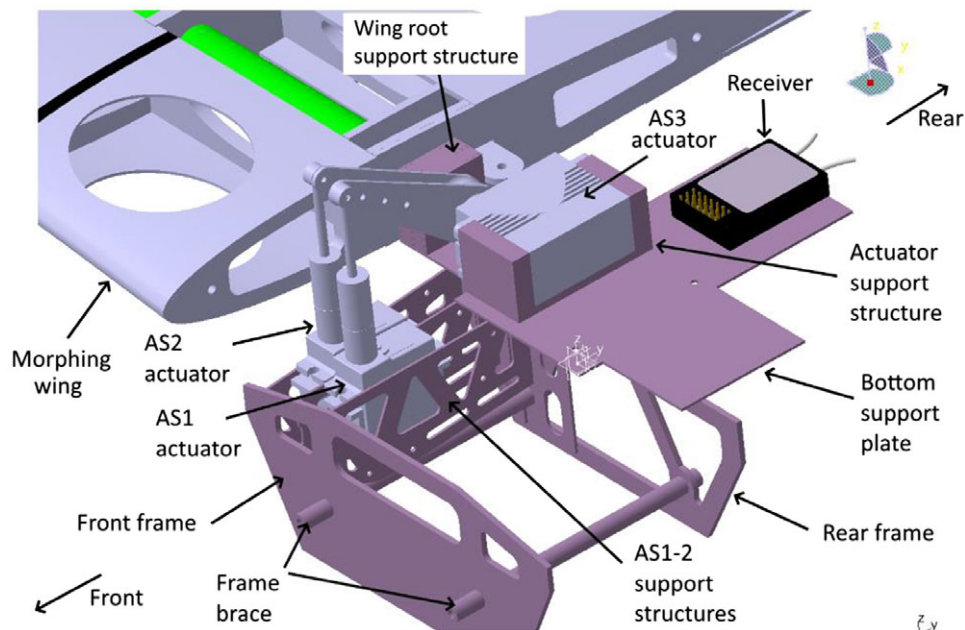


Figure 14. Internal actuator design detail for the morphing wing configuration (selected components omitted for clarity).

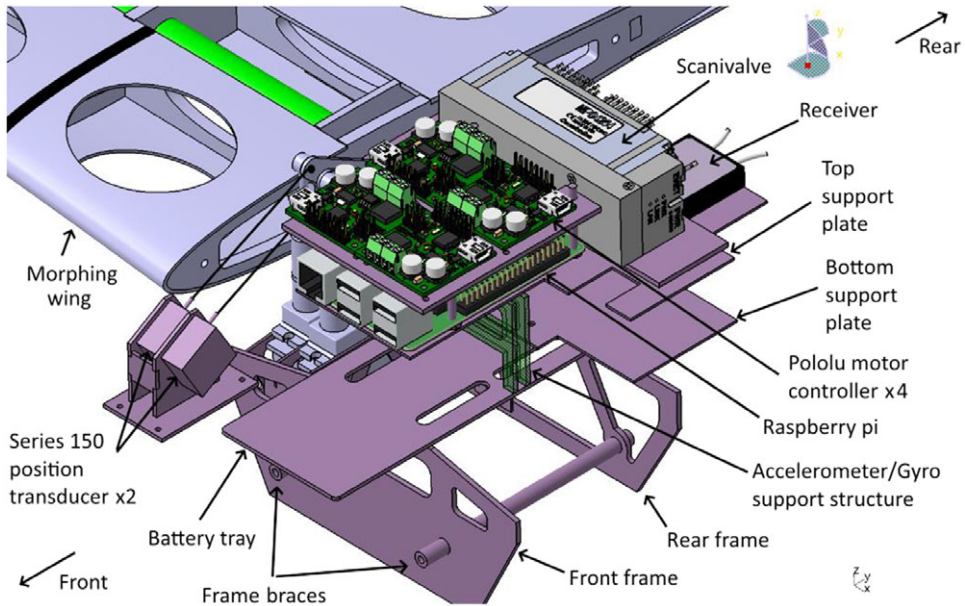


Figure 15. Basic acquisition and feedback/control instrumentation setup (port side components omitted for clarity).

Figure 15 provides a further outer layer of detail incorporating subsequent support systems and hardware common to both configurations. These include a carbon fibre top support plate, the MPS4264 Scanivalve (used for wing surface pressure data acquisition), a Raspberry Pi 4 microcomputer (1.5MHz Quad Core, 8GB RAM) as the primary computational resource and Pololu Jrk 21v3 motor controllers/ Series 150 sub-miniature position transducers combinations to measure local wing twist (via connection to the aluminium control horns). In unison, all these systems provide the capability for real-time, independent measurement and closed-loop feedback control.

Figure 16 shows the fully instrumented UAV prototype with the morphing wings installed. In addition to the MPS4264 Scanivalve, Raspberry Pi 4, Pololu Jrk 21v3 motor controllers, and Series 150 sub-miniature position transducers, a MATEK ASPD-7002 analog airspeed sensor was integrated to measure flight speed (via a pitot-static tube – not shown), a 4S Overlander lithium-polymer 3800mAh flight battery to provide common electromotive potential, a receiver for remote flight control, and an Adafruit Ultimate Global Positioning System (GPS) for the measurement of flight altitude and position.

3.8. Electrical systems and integration

The overall power distribution and signal integration layout with the Raspberry Pi is shown in Fig. 17. A single, four-cell (14.8V), 3,800mAh lithium-polymer flight battery (1) provides sole electromotive potential for the entire UAV. This source supplies the Airboss 80 ESC (2), Xpwr T3910 brushless motor (3) and Xor 14x7 propeller (not indicated) combination for primary flight propulsion, a D36V28FS 5-volt Step-down voltage regulator (4) to power the Raspberry Pi (5), four Pololu Jrk 21v3 motor/position feedback controllers (6), and the MPS4264 Scanivalve (not indicated). A separate, integrated voltage source, embedded within the ESC is used to power the flight receiver (7), port and starboard aileron servos (8&9), as well as elevator and rudder servos (not shown – Hitec HS-5087MH); the latter using command signals directly from the flight receiver, and the former, from Raspberry Pi pins 13 and 12.

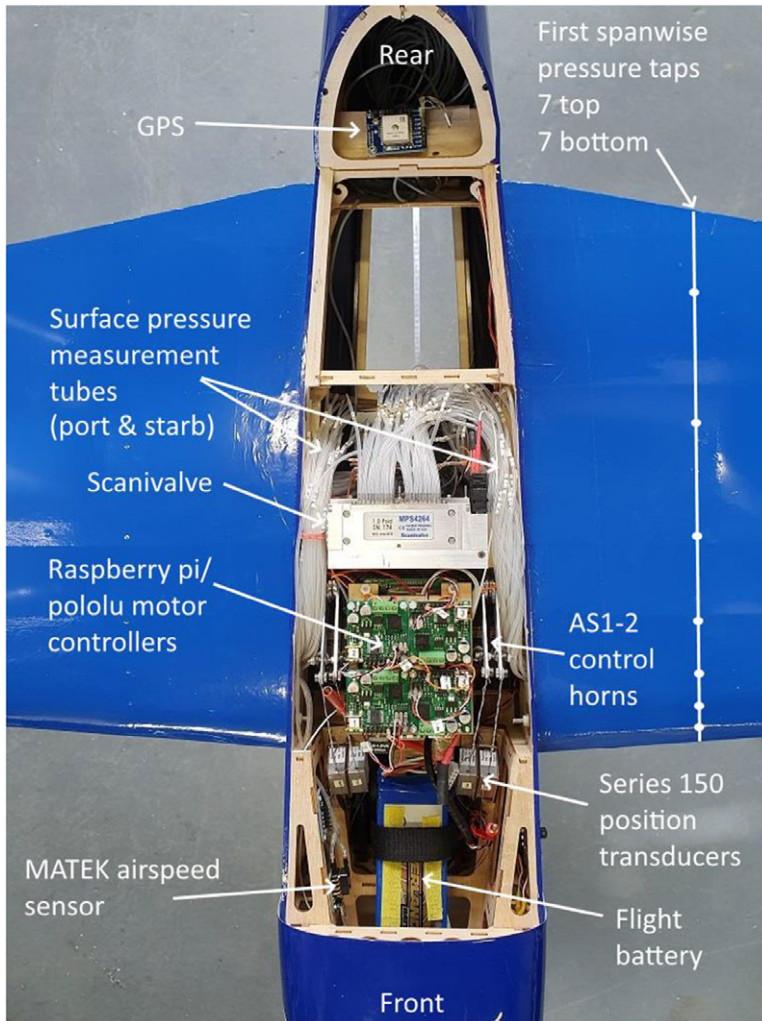


Figure 16. Top view of modified UAV platform.

Connections to pins 16, 20, and 21 log elevator, rudder and throttle demanded position with port and starboard command signals from the flight receiver first read by pins 7 and 1 before software manipulation and final transmission via pins 13 and 12, respectively.

All other instrumentation were powered from the internal Raspberry Pi 5V supply. These included an ADS1115 16-bit analog-to-digital converter (11) used to digitise analog airspeed (10), as well as the ICM20649 6-axis Accelerometer/Gyro (12) using the inbuilt Raspberry Pi I2C interface (100kHz clock frequency). Sample rates for both sensors were 1kHz with inbuilt low-pass sensor filters configured at 200Hz. Pull-up resistors (5k ohms) connecting both the SDA and SCL lines and the 5V supply were employed to ensure reliable performance. The Raspberry Pi serial interface (baud rate = 9,600, sample rate = 10Hz) was also used to read all GPS data from an Adafruit Ultimate GPS (13) with a software-generated trigger (pin 26) adopted to allow synchronisation between the Raspberry Pi and the wind tunnel load cell (see Section 4). A hall-effect current sensor (14) and 4:1 voltage divider (15) connected to the ADS1115 provided motor input power available with rpm (16) measured via Pin 4 of the Raspberry Pi.

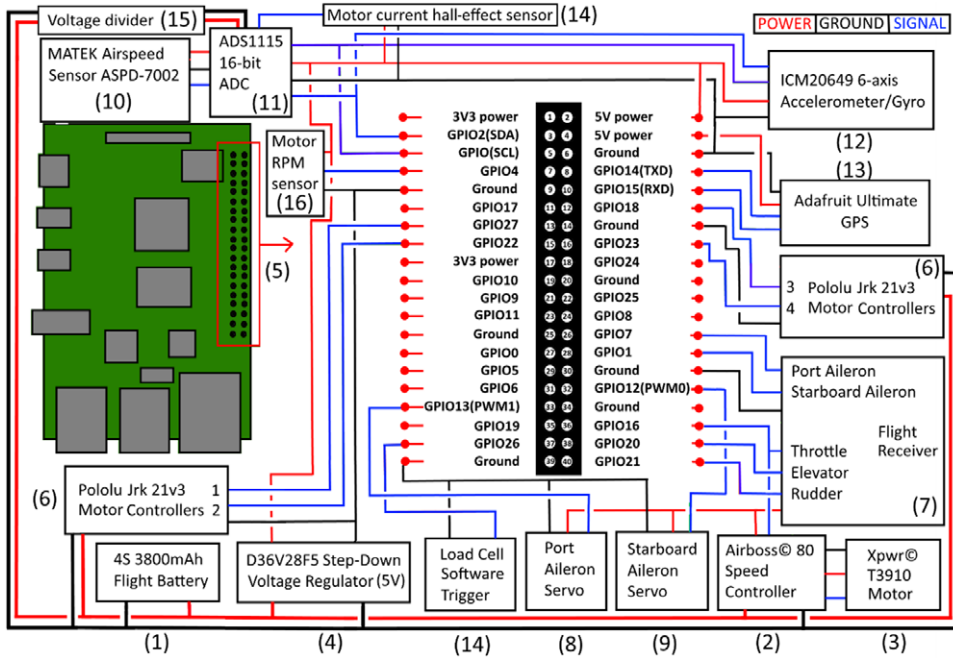


Figure 17. UAV Instrumentation and system electrical layout.

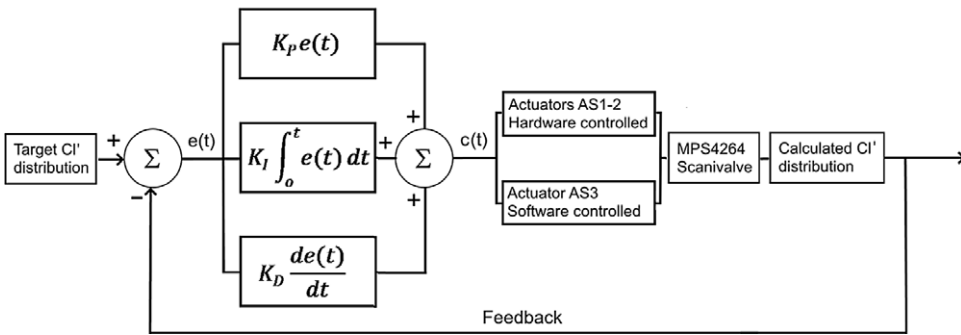


Figure 18. Schematic of wing twist position closed-loop feedback control system.

3.9. Feedback control setup

Basic functionality of the closed-loop feedback positioning system employed is depicted in Fig. 18. This system used a hybrid hardware/software-oriented PID control strategy using a user-specified sectional lift (C_l') distribution as the set point. Stations AS1-2 were hardware-controlled with the two Pololu 21v3 motor controllers per wing used to drive the two Hitec HS5087MH servos/control horn combinations (see Fig. 16). Position feedback at AS1-2 is provided by the two Series 150 sub-miniature position transducers with sensor output used as feedback to each Pololu Jrk 21v3. Control was inbuilt to each controller with each system requiring only initial tuning of PID⁶ constants (K_p , K_i , and K_d) and a single PWM control signal from the Raspberry Pi.

⁶Tuning process involved initially modifying K_p with $K_i = K_d = 0$, then changing K_d and then K_i to achieve steady state target conditions.

This hardware-based configuration worked in unison with a similar, but separate, software-controlled strategy for AS3. For this system, calculated C_1' was again compared to a target, with corresponding PWM signal control again provided by the Raspberry Pi. A similar tuning process to that already described was also required.

3.10. Software development

The software developed to co-ordinate all UAV capabilities from the Raspberry Pi was written in Python 3.0 (linux-based version). This combination offered a fast, versatile and effective means for system and sensor integration while minimising weight and space requirements. Overall command and control was provided wirelessly via a laptop PC connected to a WiFi interface installed on the Raspberry Pi (mobile access point). A flowchart outlining basic operation is shown in Fig. 19.

The first step executed by the code was to import all required software libraries to support sensor and system communication protocols, data manipulation and signal generation. System defaults and/or calibrated offsets and constants are thereafter defined before initialising all embedded sensors and systems for data transfer. The output data file is also created and configured at this stage with designated column headers included. Reference atmospheric data (temperature, pressure) required for subsequent calculations (density, dynamic pressure, etc.) are also thereafter provided along with sensor zero offset corrections.

Further program constants and defaults follow in the next step including defining UAV geometric configuration and setup constraints, Raspberry Pi pin number designations and output state, PWM signal defaults and limits, position feedback settings, as well as retrieving a timestamp reference. Subsequent entry into the main program loop thereafter initiates a trigger signal allowing synchronisation with load cell measurements along with calculation of real-time flow speed from dynamic pressure (required for C_1'). Data release commanded to the inbuilt FTP server of the Scanivalve provided the raw information for this operation, with current wing twist positions (AS1-3) also measured. Comparisons between target and measured sectional lift spanwise distributions is then made through the PID controllers with amendments to each PWM signal width commanded until an acceptable match was achieved (maximum 5% difference set); further signal modifications ceasing thereafter. This loop persisted until either an aerodynamic change occurs, or a commanded program exit is given; the latter action ceasing all computations. The maximum update rate is 30Hz.

4. Experimental setup and apparatus

4.1. Wind tunnel

The model was tested in a closed-circuit wind tunnel with a maximum flow velocity of 60 m/s and a closed-test section measuring 1.68×1.22 m. Maximum model blockage based on projected frontal area at maximum angle-of-attack ($\alpha = 15^\circ$) and zero yaw was 5.3% with the installed wing span extending up to 79% of the tunnel width. No corrections for these influences were applied to the results given the comparative nature of the study. The turbulence intensity at model station is rated at lower than 0.2% with operating flow speeds limited to between 18 and 25m/s depending on the test undertaken. These conditions gave a Reynolds number range, based on mean aerodynamic chord, of $3.72 \times 10^5 < Re_n < 4.68 \times 10^5$.

The model was mounted on an aerodynamically streamlined support strut affixed to an aluminium floor insert installed within the tunnel floor. A six-axis load cell was positioned between the model support strut and the floor insert to allow all forces and moments acting on the model to be measured. An angle-of-attack adjustment mechanism ($-1.8^\circ < \alpha < 15^\circ$, $\Delta\alpha \approx 2.5^\circ$) also allowed assessment of this influence on aerodynamic performance. To ensure minimal aerodynamic disturbance, a two-piece, flat plate wooden cover, sealed the resulting open space between the support strut and floor insert leaving a nominal 5mm gap to allow unhindered support strut deflection under aerodynamic loading. This also

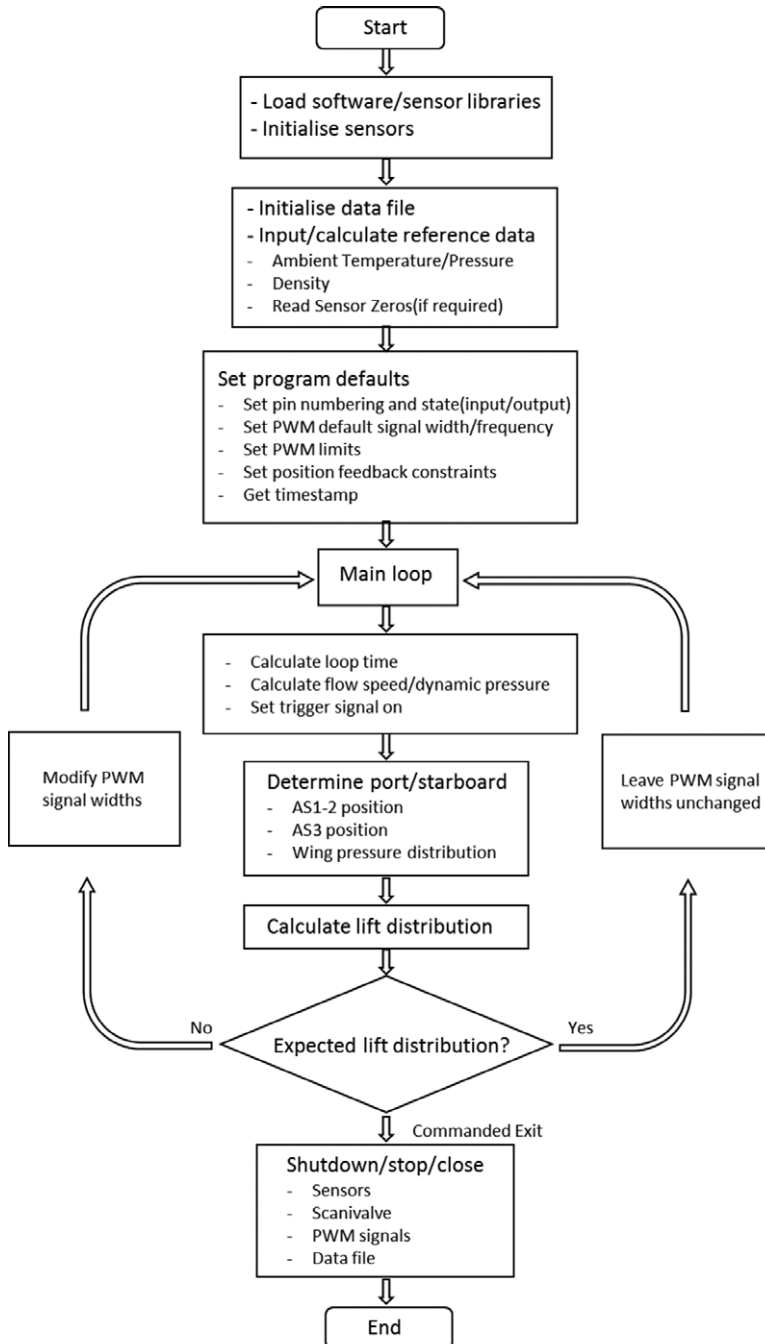


Figure 19. Software flowchart highlighting signal integration and feedback control.

minimised external air ingress into the tunnel. Figure 20 shows both model configurations installed in the wind tunnel prior to testing.

The angle of wing twist at each station (AS1-3) prior to testing was calibrated in situ using the Eflight AnglePro II digital incidence meter. This process involved initially measuring the angle of incidence and either disconnecting the corresponding leadscrew actuator (AS1-2) for adjustment or modifying input

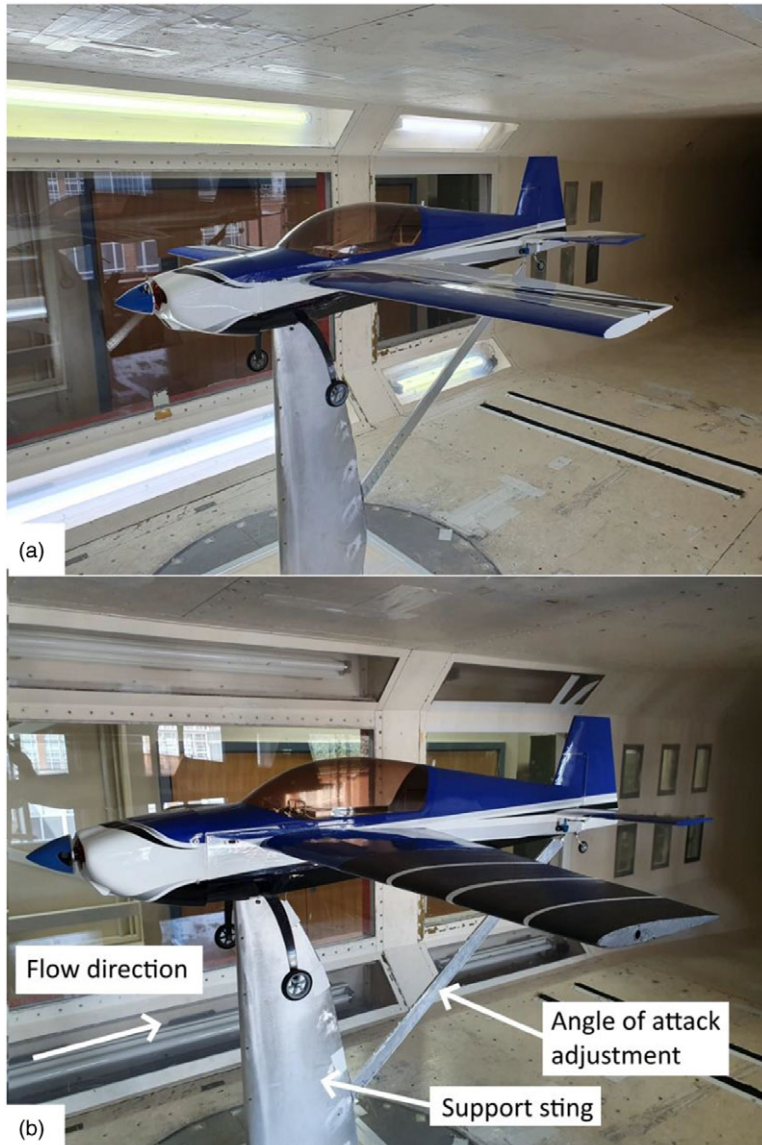


Figure 20. Wind tunnel installations of the model configurations: (a) Baseline, (b) Morphing.

signal magnitude directly via the software. After calibration, maximum deviation between any station, on either wing, was found to be less than $\Delta\gamma = \pm 2^\circ$.

4.2. Data acquisition and equipment setup

An AMTI MC3A-500 six-axis force and moment balance was used during wind tunnel testing. The maximum lift, drag and side force capabilities of the cell were $\pm 2\text{kN}$, $\pm 1\text{kN}$, and $\pm 1\text{kN}$ respectively, with the maximum range for pitching, rolling and yawing moments being $\pm 56\text{Nm}$, $\pm 56\text{Nm}$ and $\pm 28\text{Nm}$ respectively. During initial testing, individually optimised measurement ranges were set for all six-axes using a DigiAmp DSA-6 amplifier to minimise data uncertainty. After calibration, maximum deviations for any axis was found to be less than $\pm 2.5\%$ with 95% confidence.

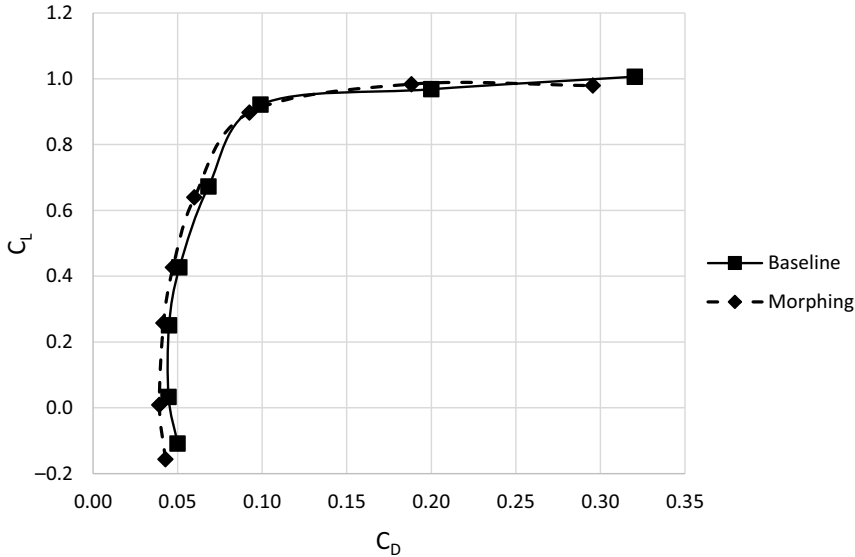


Figure 21. Drag polar comparison for the two model variants; $Re_n = 3.72 \times 10^5$.

All aerodynamic force and moments were acquired using a CompactRIO 9025 running a 16-bit NI9025 Analog Input module. This system used custom-programmed Labview FPGA control architecture linked to an external laptop to coordinate the process. The sampling rate was 10kHz with internal low-pass Butterworth filters within the DigiAmp configured at 1kHz to satisfy the Nyquist anti-aliasing criterion. The software trigger from the Raspberry Pi was connected to an additional channel to provide synchronisation between both systems. All time-averaged data were sampled for a minimum period of 20 s with tests involving wing transitioning from one state to another extending to up to 120 s. Before and after every test, a zero, wind-off, data point was taken. This allowed compensation of any thermal drift measurement zeros, the identification of superfluous, non-aerodynamic, frequency components, as well as inclusion of reference data required by the control software. Additional tests were also performed without the model installed to correct for support tare.

The Matek ASPD-7002 airspeed sensor/pitot static tube combination was calibrated in situ against a Dantec® precision flow unit with rated accuracy better than ± 0.5 m/s. This procedure involved positioning the flow unit discharge orifice within 5 mm of the pitot-static tube leading edge and progressively increasing speed up to 40 m/s (steps of 5 m/s) before being reduced back to zero. This methodology was adopted to assess hysteresis and repeatability with overall calibration offset and gain constants determined as the average of three separate calibration events. Final accuracy was assessed at better than ± 1 m/s to 95% confidence.

5. Results and discussion

5.1. Baseline comparisons

Baseline aerodynamic performance comparisons for the two model configurations tested are provided in Fig. 21. Overall, the drag polars show good agreement over the entire angle-of-attack range considered with some variation at higher lift coefficients near stall ($12.2^\circ < \alpha < 15^\circ$). The morphing wing variant was found to produce the lowest minimum drag coefficient ($C_D = 0.0392$) with the baseline marginally higher ($C_D = 0.0446$); each observed at $\alpha = 0.6^\circ$. For the latter, the influence of the exposed aileron wing servos and control horns as well as control surface hinge junctions likely contributed to this difference. Maximum lift coefficient is in general agreement for both ($C_{L,max} \approx 1$ at $\alpha = 12^\circ$) with the maximum

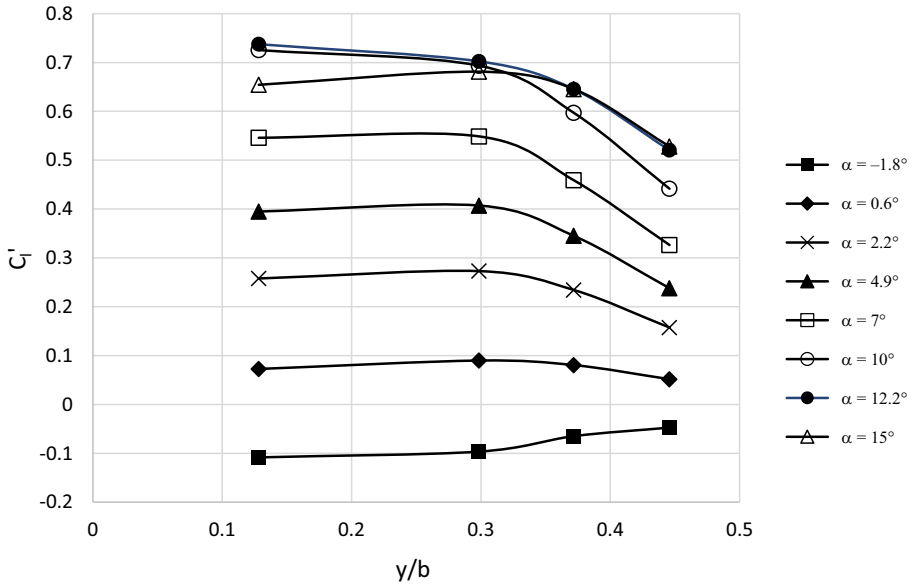


Figure 22. Sectional lift distribution profiles with change in α for the morphing configuration.

lift-to-drag ratio observed at $(C_L/C_D)_{\max} = 9.18$, and $(C_L/C_D)_{\max} = 10.66$ respectively; both at $\alpha = 7.1^\circ$. These results indicate a 16% increase in aerodynamic efficiency with use of the ATC concept reaffirming results from previous exploratory work [21]. Comparing results obtained from both the CFD and AVL analysis (Fig. 5) also show general agreement.

Further insight into overall wing behaviour is presented in Fig. 22. These results show spanwise C_l' variation ($C_{l_{0.3}}$) from stations PTS1-4 (see Fig. 12) at different α . As would be expected, C_l' magnitudes progressively increase with α maintaining a near common profile up to $\alpha \approx 10^\circ$. Beyond $\alpha = 12.2^\circ$ however, little further change at innermost stations ($C_{l_{0.2}}$) is seen suggesting aerodynamic behaviour typical near stall. Further increase to $\alpha = 15^\circ$ also shows a subtle inboard unloading at C_{l_0} and $C_{l_{11}}$ typical of the same cause. Loading at the tip however remains essentially unchanged, indicating the basic wing configuration has a preference to stall at the wing root first, prior to the tip, as would be most desired to maintain roll control.

Figure 23 provides these results normalised against C_{l_0} for assessment against an elliptic profile (minimum induced drag) [17, 20, 27]. As shown, the C_l' distribution in most cases (with the possible exception of $\alpha = -1.8$) varies from this ideal (outboard stations more loaded) indicating scope does exist for optimisation (through wing twist adjustment) at multiple flight orientations (i.e. non cruise conditions). This will be demonstrated in following sections.

5.2. Adaptability limits

Prior to demonstrating this capability however, wind tunnel tests to establish maximum achievable C_L and C_D ranges were performed. For these tests, each actuator station was commanded to maximum positive twist magnitude (see Table 3) with subsequent separate tests, considering negative thereafter.

Figures 24 and 25 show the range of achievable C_L , C_D , ΔC_L and ΔC_D respectively. From Fig. 24, nominal C_L and C_D ($\gamma = 0$ at AS1-3) is shown to lie within an upper and lower bound with available range tightening notably for C_L at high α (approaching stall – $\alpha > 10^\circ$). The reverse is evident for C_D . For the former, these results show that near maximum aerodynamic loading, additional benefits from ATC use are more limited. At lower α however, C_L is shown to have the capability for significant change;

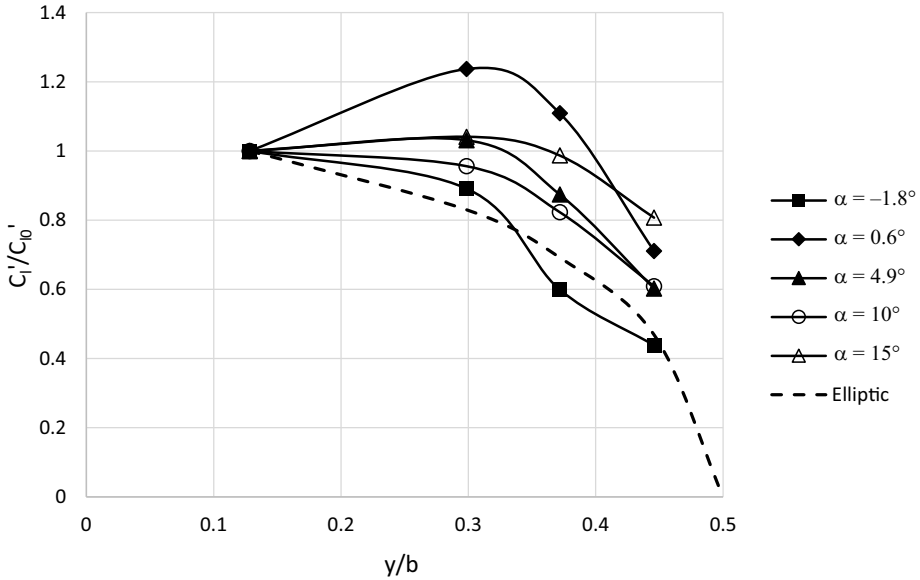


Figure 23. Measured normalised sectional lift distributions compared to the elliptic profile.

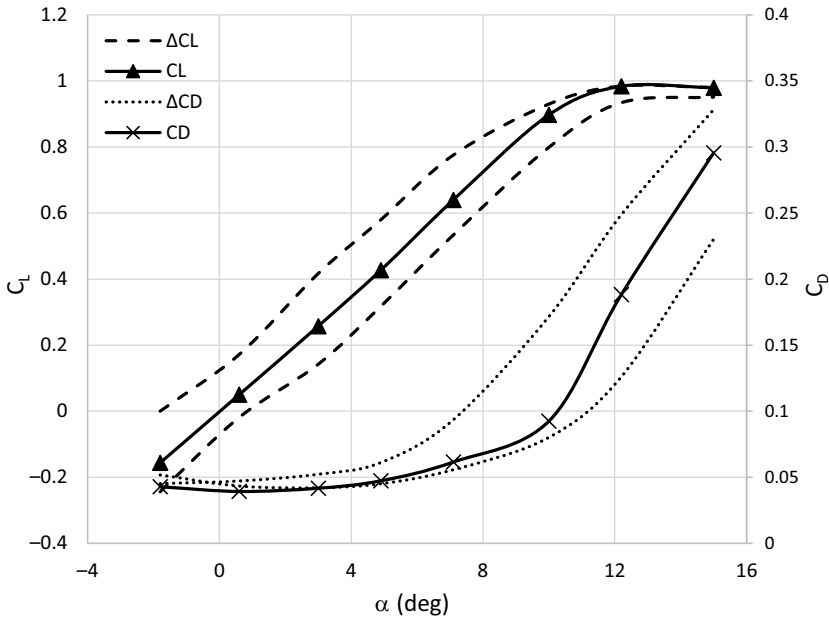


Figure 24. Maximum C_L and C_D limits achievable for the morphing wing; $Re_n = 3.72 \times 10^5$.

that being near equal (constant ΔC_L) in either direction from $\gamma = 0$. This is maximum at $\Delta C_L = 0.27$ for $\alpha = 3^\circ$ (Fig. 25).

Conversely, Fig. 24 shows most C_D variability is enabled at higher α and more limited at low α . This is a result of the wing already being in a low drag state for the latter with either positive or negative γ change (from $\gamma = 0$) producing a net increase. The no twist, low drag condition ($\gamma = 0$), therefore lies outside the measured upper and lower bound as C_D is lower in both cases. Only at $\alpha \approx 3^\circ$ does

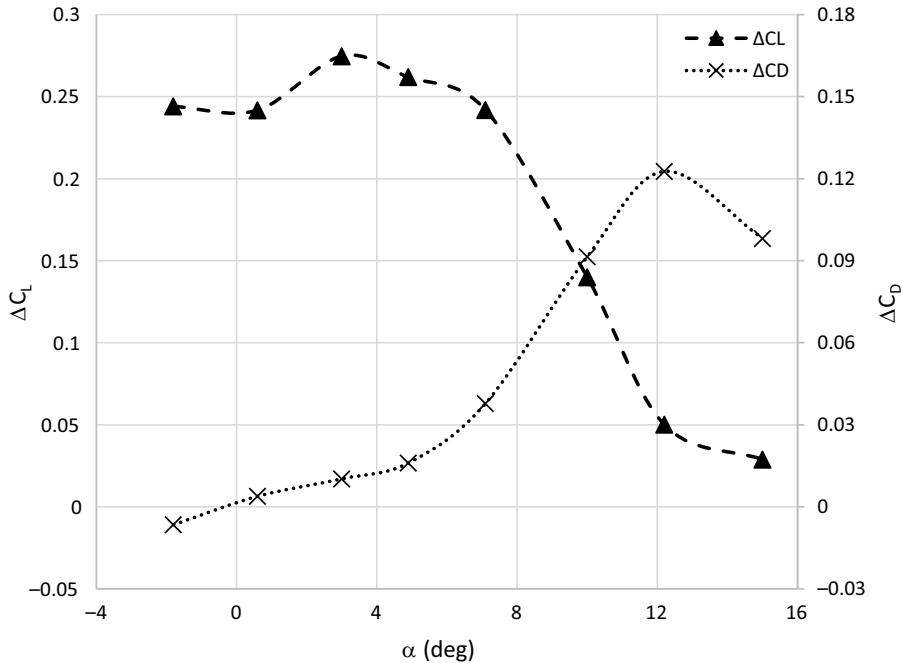


Figure 25. Achievable ΔC_L and ΔC_D for the morphing wing; $Re_n = 3.72 \times 10^5$.

C_D for $\gamma = 0$ enter the bounded range remaining within thereafter. A bias towards the lower bound is also observed, in opposition to that observed for C_L , suggesting limited additional gains exist through reducing C_D within this α range. Figure 25 quantifies this finding for $\alpha \leq 4.9^\circ$ with $\Delta C_D < 0.04$ much lower than $\Delta C_D > 0.09$ at $\alpha \geq 10^\circ$. Most benefit therefore, in terms of reducing C_D , will exist at the highest α (near stall). Considered in unison with C_L , these results confer significant enhancements in C_L/C_D with ATC use, particularly above and below $(C_L/C_D)_{max}$. This can be realised most effectively by enacting a positive γ change (increasing C_L more than the relative increase in C_D) at low α , thereby increasing C_L/C_D , and using negative γ change (to reduce C_D more than the relative reduction in C_L) at high α , again increasing C_L/C_D . This capability is demonstrated in the next section.

To further quantify the nature of the effects of γ on C_1' , Figs. 26 and 27 provide the corresponding upper and lower bound for C_1' together with $\Delta C_1'$. At the most inboard measurement station (C_{10}') at high α ($\alpha \approx 10^\circ$), little impact on C_1' occurs with changing γ confirming the trend identified earlier in Fig. 22. The influence of γ change is shown to increase progressively out to the wing tip however, where $\Delta C_1'$ is maximum, indicating, as suspected earlier, relative insensitivity of C_L to γ at highest aerodynamic loading. Conversely, at lower α , the ability to modify C_1' changes markedly at all spanwise positions, particularly those innermost (C_{10-2}'), with near-constant $\Delta C_1'$ capability observed below $\alpha = 4.9^\circ$. Maximum limits are quantified in Fig. 27 with $\Delta C_{13}' \approx 0.2$ (independent of α), $\Delta C_{11-2}' \approx 0.25$, and $\Delta C_{10}' \approx 0.16$, respectively. Figure 27 also highlights a rapid decrease in $\Delta C_1'$ for $\alpha \geq 7^\circ$ at C_{10-2}' as stall is approached, however, as the ability to tailor γ (in this case reduce) would offer scope for mitigation. Such characteristics may also provide benefits for tailoring C_L and C_D needs based on take-off and landing requirements [13, 28, 29] as well as the reduction of stall speed [29].

5.3. Real-time flight optimisation

Having assessed nominal aerodynamic performance metrics as well as overall limits and capabilities, focus hereafter centres on the ability to provide real-time enhanced flight efficiency. To demonstrate

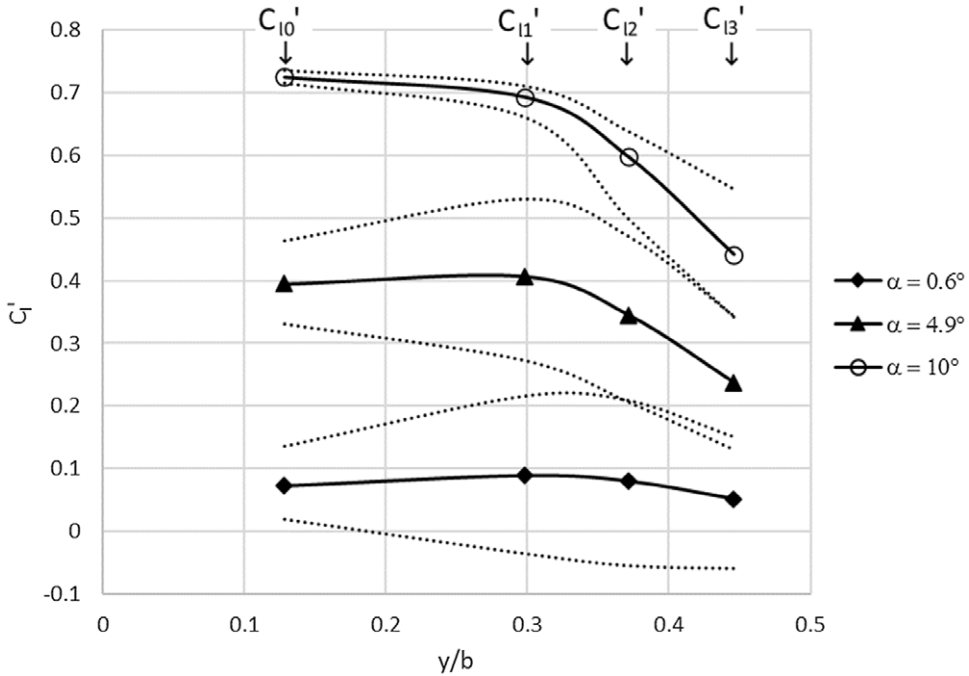


Figure 26. Measured C_1' limits at selected α for the morphing wing at C_{10-3} ; $Re_n = 3.72 \times 10^5$.

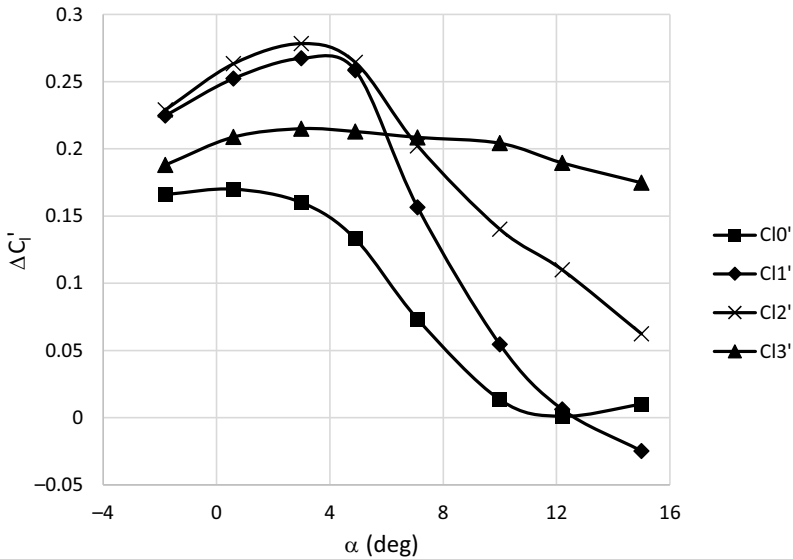


Figure 27. Achievable $\Delta C_1'$ for the morphing wing at C_{10-3} ; $Re_n = 3.72 \times 10^5$.

this capability, tests were performed whereby the morphing wing was commanded to transition from neutral to maximum wing twist, then back to neutral, and then fully negative. This strategy would take advantage of the simultaneous force and moment measurement capability of the experimental setup to quantify how these parameters can be modified real-time to improve flight efficiency. The maximum duration for these tests was 120 s and are considered quasi-steady in nature.

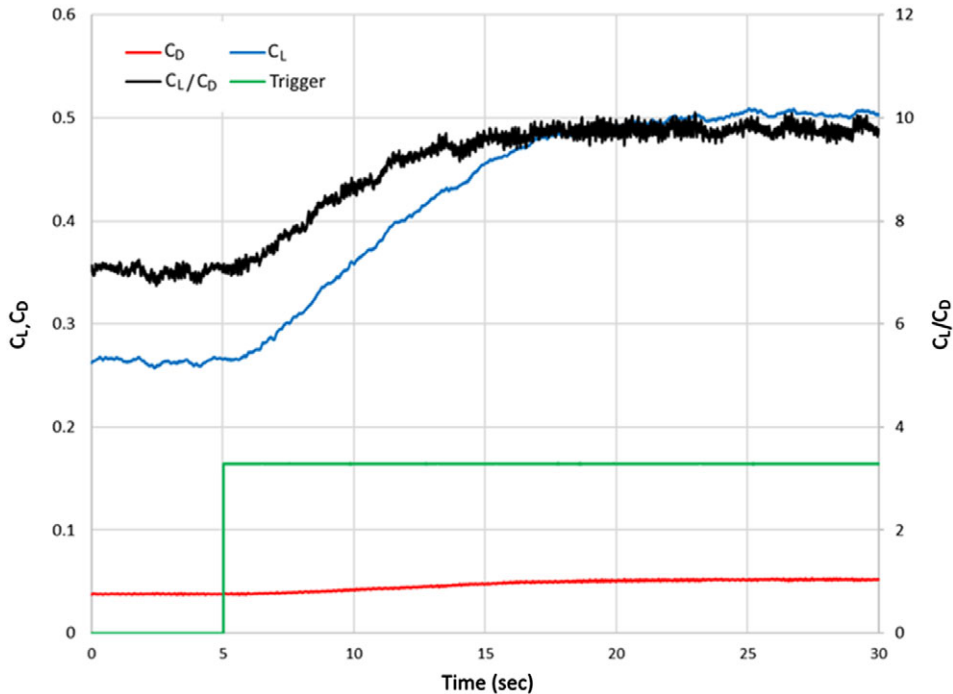


Figure 28. Real-time C_L/C_D enhancement from the morphing wing at $\alpha = 2.2^\circ$; $Re_n = 3.72 \times 10^5$.

Example cases taken at $\alpha = 2.2^\circ$ and $\alpha = 12.2^\circ$ are shown in Figs. 28 and 29; the former applying positive γ , and the latter, negative. Calculated C_L/C_D and a synchronising trigger signal (between model and load cell) are also shown. In each case, full transition occurs after approximately 20 s. From Fig. 28, this action increases C_L from $C_L \approx 0.26$ to $C_L \approx 0.5$ representing a 92% increase. Drag coefficient also increases during the same period from $C_D \approx 0.041$ to $C_D \approx 0.057$ (39% increase), however C_L/C_D improves from $C_L/C_D \approx 7$ to $C_L/C_D \approx 9.6$ (37% increase). Conversely, Fig. 29 ($\alpha = 12.2^\circ$) shows C_D reducing to $C_D \approx 0.098$ from $C_D \approx 0.21$ (−53%) with C_L reducing from $C_L \approx 1$ to $C_L \approx 0.88$ (−12%). This modification again improves C_L/C_D (88%). Figure 30 shows the modified wing C_1' distribution in each case, with the loading at the tip increasing markedly for $\alpha = 2.2^\circ$ and reducing at $\alpha = 12.2^\circ$.

Figure 31 provides a full assessment of this capability by quantifying maximum measured improvement in flight efficiency over the full α range. Achievable benefit is shown throughout, albeit much more subtle near $(C_L/C_D)_{\max}$ (6.4% at $\alpha = 7^\circ$). Again, this was expected as the platform is near optimum aerodynamic performance at this α making additional gains more difficult. Most benefit is shown either side of this location, with the maximum observed at lowest α . Overall $6.4\% < \Delta C_L/C_D < 72\%$ was obtained within $2.2^\circ < \alpha < 15^\circ$ demonstrating an ability to both increase achievable C_L/C_D (at any fixed α) as well as expand the α range for fixed C_L/C_D (note: below this range the % gains are much larger). Given many critical performance metrics use C_L/C_D (range, endurance, etc.), these findings highlight the possibility to deliver significant improvements in real-time flight adaptability.

5.4. Closed-loop feedback control

Closed-loop feedback control was the next capability investigated. This functionally was incorporated within the hardware and software control architecture to automatically adjust, and maintain, any specified C_1' distribution. Tests to demonstrate this ability were performed with a target elliptical lift distribution [20].

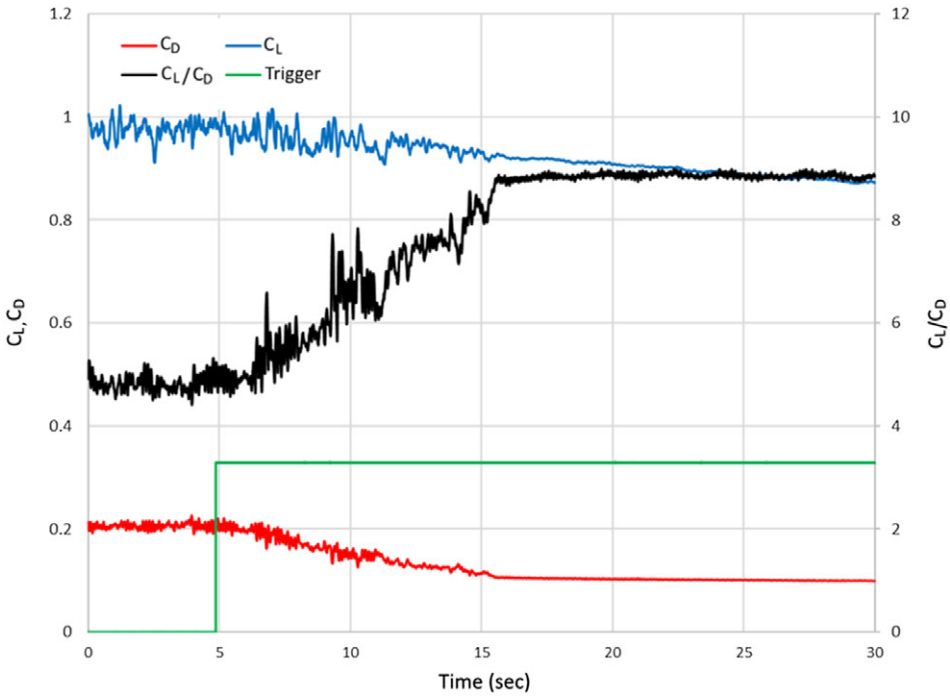


Figure 29. Real-time C_L/C_D enhancement from the morphing wing at $\alpha = 12.2^\circ$; $Re_n = 3.72 \times 10^5$.

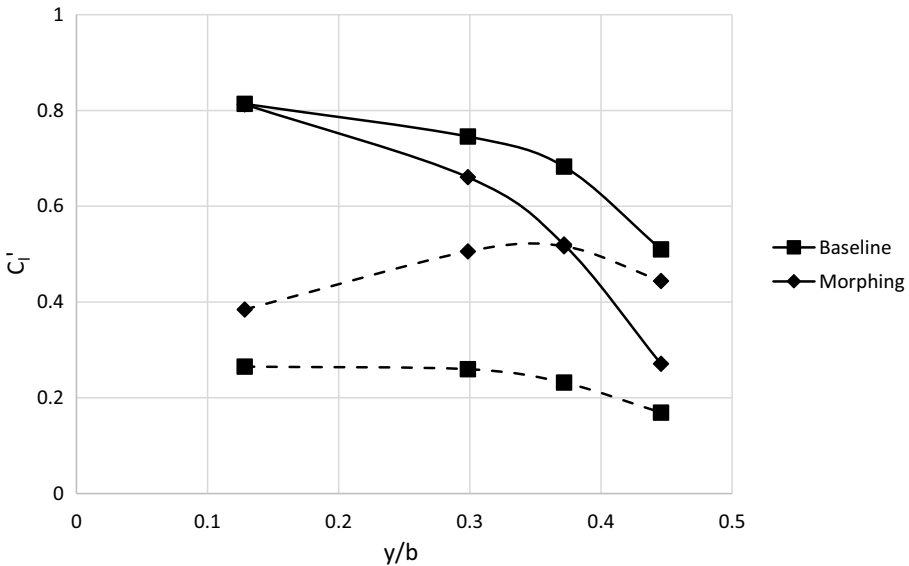


Figure 30. Results for C_1' during real-time transition at $Re_n = 3.72 \times 10^5$; $\alpha = 2.2^\circ$ (dashed), $\alpha = 12.2^\circ$ (solid).

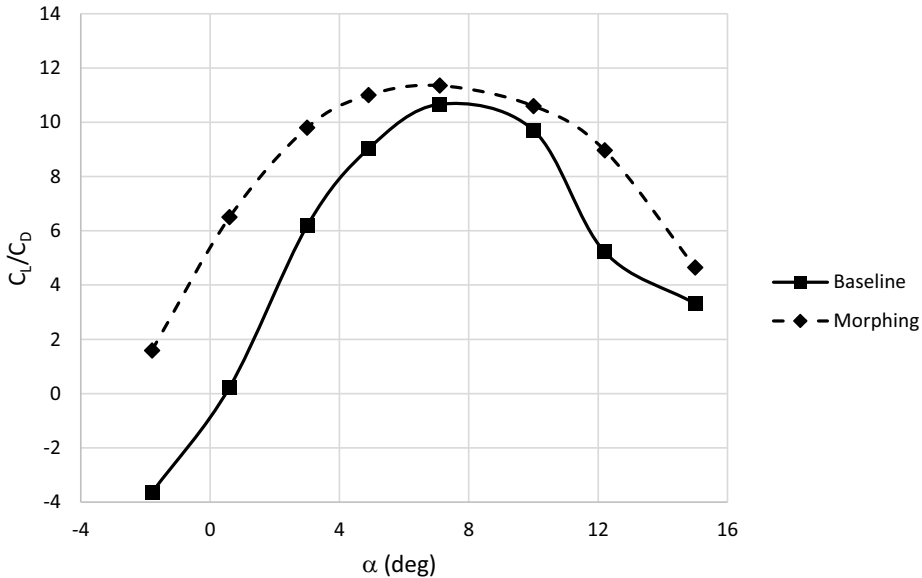


Figure 31. Overall improvement in C_L/C_D using the morphing wing; $Re_n = 3.72 \times 10^5$.

Real-time evolution of C_{10-3} from loop initiation ($t = 0$) at $\alpha = 10^\circ$ is shown in Fig. 32. For $t < 7$ s, the highly unsteady nature of the flowfield, typical to conditions approaching aerodynamic stall, can be clearly identified. Quantitative assessment within this region indicates $C_{Lrms} \approx 0.017$ and $C_{Drms} \approx 0.006$, respectively, with the same metrics after actuation ($t > 7$) showing a significant reduction as aerodynamic unloading of the wing tip occurs ($C_{Lrms} \approx 0.002$, $C_{Drms} \approx 0.0005$). These results suggest benefits may also exist for stall mitigation (a reduction in model unsteadiness was also observed visually – see [22]). During the subsequent transition however, C_{11-3} are all shown to change magnitude (C_{10} remaining constant) to meet the target C_1 distribution. Results reach a steady-state condition by $t \approx 30$ s with excellent agreement achieved between final and target C_1 (see Fig. 33). Multimedia demonstrating this test is available to view at [22].

5.5. Manoeuvre load alleviation

A further capability is the potential for Manoeuvre Load Alleviation [5, 12]. This is a condition whereby wing loading is increased inboard and relaxed outboard during flight manoeuvring to reduce generated wing root bending moment. The same functionality described in Section 5.4, but with an appropriately set target C_1 distribution (see Fig. 35), was used.

Figures 34 and 35 provide the real-time and normalised C_1 results at $\alpha = 4.9^\circ$ from such a test. Again, C_1 magnitudes after initiation ($t = 0$) are seen to progressively change during transition, with an increased inboard loading required by MLA shown by C_{11} increasing beyond C_{10} ($\approx 10\%$) at $t = 35$ s. This change is also highlighted in Fig. 35. Aerodynamic loading at both C_{10} and C_{12} remains relatively unchanged however, with C_{13} reducing significantly ($\Delta C_{13} \approx 0.06$ to $C_{13}/C_{10} \approx 0.46$) as unloading of the wing tip compensates for the increase at C_{11} to maintain near-constant C_L .

5.6. Roll control effectiveness and efficiency

The final tests conducted involved comparing roll control power ($C_{l\gamma}$, $C_{l\delta}$) and roll control power per unit $\Delta C_D (C_{l\gamma}/\Delta C_D, C_{l\delta}/\Delta C_D)$. These metrics provide comparable indications of how effectively

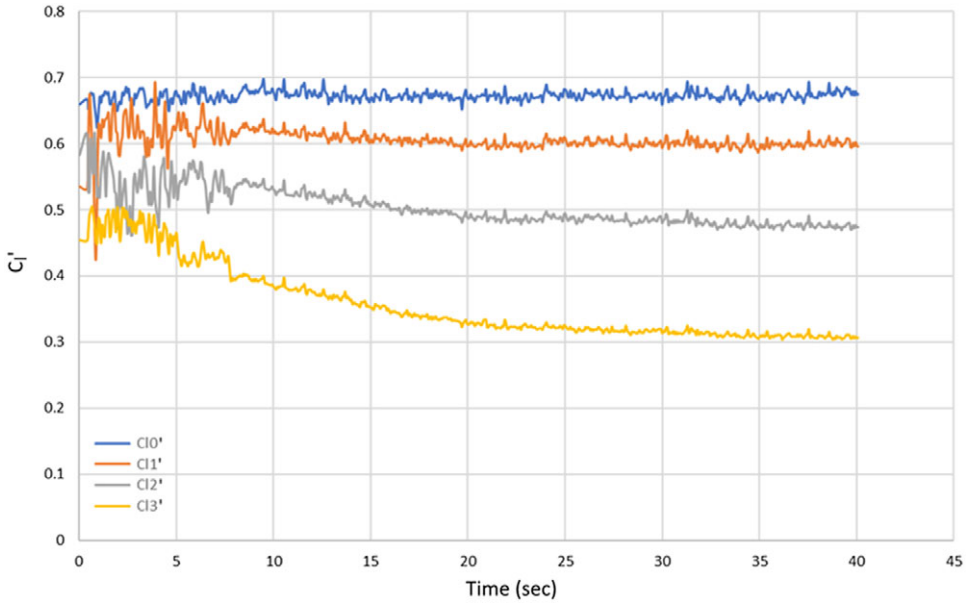


Figure 32. Evolution of the C_1' distribution to achieve an elliptical lift distribution; $\alpha = 10^\circ$, $Re_n = 4.68 \times 10^5$.

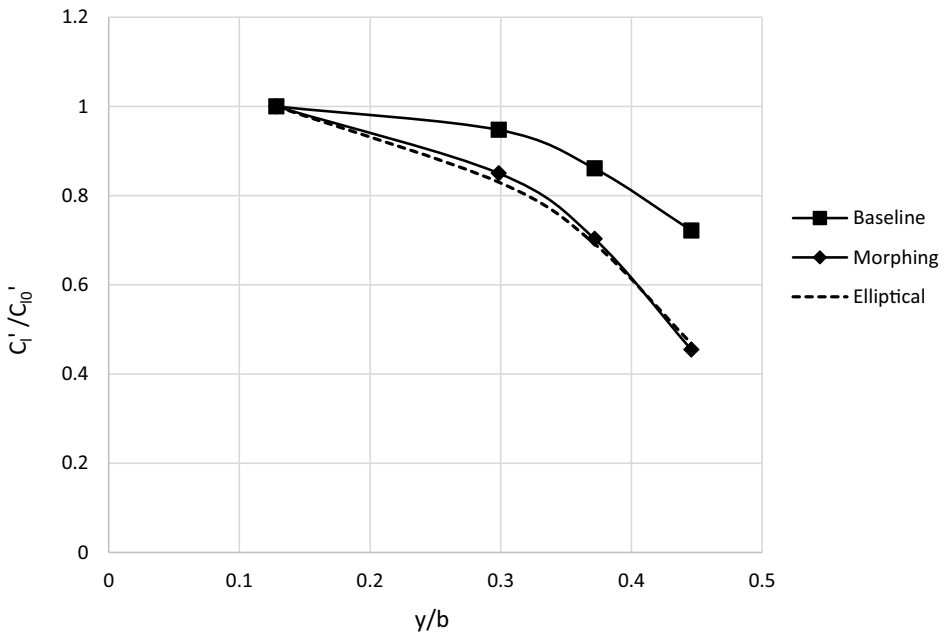


Figure 33. Normalised C_1' distribution demonstrating closed-loop feedback control for minimum drag at $\alpha = 10^\circ$; $Re_n = 4.68 \times 10^5$.

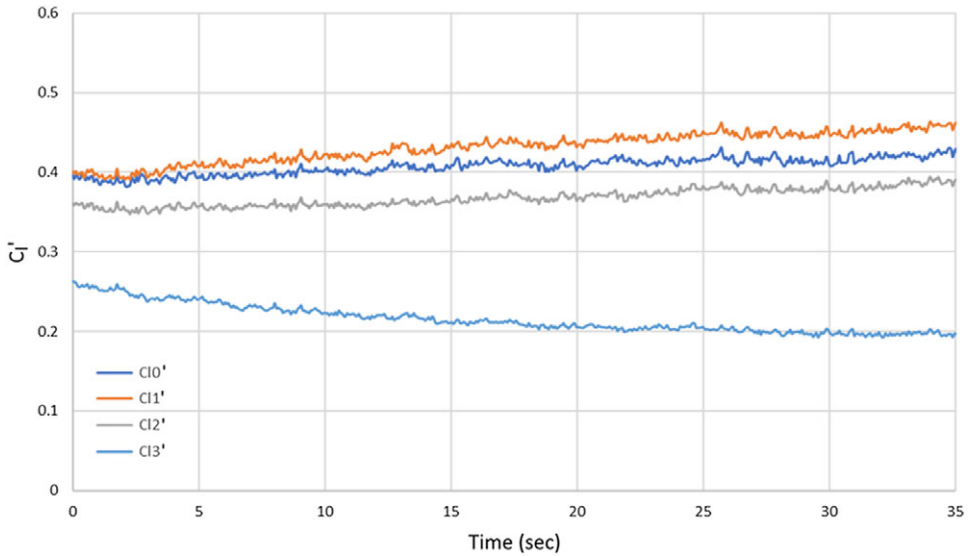


Figure 34. Real-time evolution of the morphing wing C_1' distribution to achieve MLA at $\alpha = 4.9^\circ$; $Re_n = 3.74 \times 10^5$.

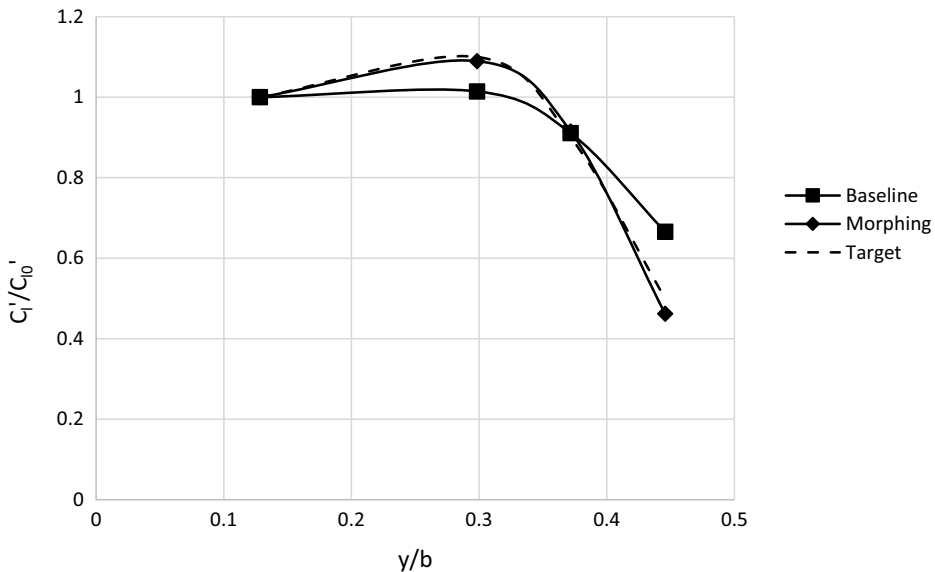


Figure 35. Normalised wing C_1' distribution demonstrating MLA at $\alpha = 4.9^\circ$; $Re_n = 3.74 \times 10^5$.

(C_{l_y} , C_{l_ξ}) and efficiency ($C_{l_y}/\Delta C_D$, $C_{l_\xi}/\Delta C_D$) each wing provides roll performance. For these tests, maximum control deflections were commanded (see Tables 1, 2 and 3) for each wing configuration. For this comparison, note should be made however that near full span ailerons (90% - see Section 3.1) are used for the baseline wing; this being an atypical configuration not representative of most aircraft configurations (10%–30% is more typical [14]). This would be expected to underpredict comparative ability of the morphing wing. Also of note is that this test does not include comparative assessment

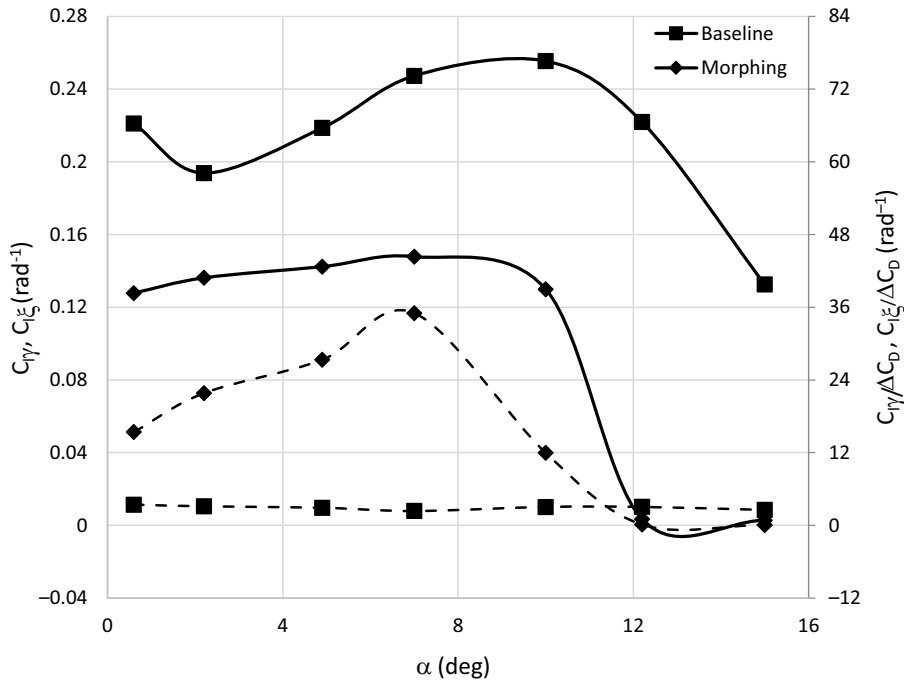


Figure 36. Roll control power (solid line) and roll control power per unit change in drag coefficient (dashed line); $Re_n = 3.72 \times 10^5$.

of intermediate morphing wing (and baseline aileron) configurations which may prove more beneficial [3, 9]. Nevertheless, the comparison was still considered valuable.

Figure 36 provides these results with both wing configurations shown to produce comparable roll control power. At $C_{l_{y,\max}} \approx 0.147$ ($\alpha = 7^\circ$) and $C_{l_{\xi,\max}} \approx 0.255$ ($\alpha = 10^\circ$) these values approximate that of typical aircraft ($C_{l_{\xi}} \approx 0.3$ – [30]). Aileron control power ($C_{l_{\xi}}$) under these conditions is shown to be higher at all α compared to that available from the morphing wing, with this disparity increasing markedly near stall ($\alpha \geq 10^\circ$). At these α , morphing control power is shown to reduce significantly matching the trend already observed in Figs. 24, 25, 26 and 27. It should also be noted that the role of structural deformation at these highly loaded conditions could not be accurately assessed (given the difficulty of measurement within an operating wind tunnel) and most likely would have some impact (increase) in wing twist measurement uncertainty [13, 25]. Noting this however, during testing very little noticeable deformation was visually observed.

A comparison of roll control power efficiency ($C_{l_{y,\xi}}/\Delta C_D$) is also provided in Fig. 36. These results show the morphing wing to be much more effective at efficiently producing roll control power relative to aileron use. For the latter, this metric is shown to remain relatively constant at $C_{l_{\xi}}/\Delta C_D \approx 3$ over the complete α range tested. Conversely, using morphing wing twist provides a capability up to $C_{l_{y,\xi}}/\Delta C_D = 35$ with a near maximum 12:1 advantage ($\alpha \approx 7^\circ$).

6. Conclusion

This paper describes the design, development, integration and testing of a morphing wing warping technology embedded with closed-loop feedback control capabilities onto a generic UAV platform to enhance performance, efficiency and control capabilities. Detailed descriptions of the design, control

software architecture, electrical system layout, as well as assessments of realisable limits and capabilities are included together with results from a wind tunnel test program.

Two sets of wings with identical dimensions are compared; one utilising the morphing concept, and the other, a baseline configuration with embedded ailerons. The morphing wing utilised a segmented assembly of multiple, small thickness, rigid-rib sections, positioned directly adjacent, that possessed the ability for relative rotation over the affected span allowing localised wing twist variations. Subsequent wind tunnel testing showed the wing-warping technology to be superior in almost every comparative flight performance, efficiency and control metric investigated with the most significant realisable benefits being;

- No increase in minimum drag.
- Ability to modify C_L and C_D by up to a $\Delta C_L = 0.27$ and $\Delta C_D = 0.12$ respectively based on need without baseline angle-of-attack change.
- Improved $(C_L/C_D)_{\max}$ by 6.4%.
- Improvement in C_L/C_D by 72% at $\alpha = 12.2^\circ$.
- Capability for real-time wing load optimisation, closed-loop feedback control, and manoeuvre load alleviation.
- Increase in roll control power efficiency by up to 12:1 compared to aileron use.

Overall, these findings highlight the possibility that the technology developed can provide a path to a functional, realistic and deployable step change in achievable aerial performance. Additional potential benefits yet to be fully explored and quantified, but warranting further investigation, could also include the reduction in radar cross-section signature, supermanoeuvrability, enhanced flight stability and gust load alleviation, as well as active flutter and structural vibration suppression. Ongoing work also involves application of the technology to rotary-wing platforms along with the development of a ‘water-tight’ variant using lightweight and flexible inter-rib materials to provide the required twist compliance.

Acknowledgments. I am deeply indebted to Robert Sayers and Matthew Stowell of DSTL for allowing this project to proceed in the midst of a global pandemic. Without their patience, understanding and financial support, none of this work would have been possible. I would also like to express my deepest gratitude to Jake Rigby of BMT for supporting this project from its inception. His advice has been invaluable throughout the entire process. Will Graham and Holger Babinsky of Cambridge University also deserve my sincere thanks for finding a way to allow the wind tunnel testing to proceed.

Funding. This work was financially supported by the Defence Science and Technology Laboratory (DSTL) for the UK Ministry of Defence (MoD) under Contract No. DSTLX1000146053 ‘Morphing Unmanned Aerial Vehicles (MORPHUAV): Realising Future Flight Capabilities’.

References

- [1] National Research council, *Autonomous Vehicles in Support of Naval Operations*. Washington, DC: The National Academies Press, 2005, doi: [10.17226/11379](https://doi.org/10.17226/11379).
- [2] Sepulveda, E. and Smith, H. Technology challenges of stealth unmanned combat aerial vehicles, *Aeronaut J*, September 2017, **121**, (1243), pp 1261–1295, doi: [10.1017/aer.2017.53](https://doi.org/10.1017/aer.2017.53).
- [3] Pecora, R., Amoroso, F. and Lecce, L. Effectiveness of wing twist morphing in roll control, *J Aircr*, 2012, **49**, (6), pp 1666–1674, doi: [10.2514/1.C000328](https://doi.org/10.2514/1.C000328).
- [4] Barbarino, S., Bilgen, O., Ajaj, R.M., Friswell, M.I. and Inman, D.J. A review of morphing aircraft, *J Intell Mater Syst Struct*, 2011, **22**, (9), pp 823–877, doi: [10.1177/1045389X11414084](https://doi.org/10.1177/1045389X11414084).
- [5] Miller, G.D. Active flexible wing (AFW) technology, AFWAL-TR-87-3096, 1998.
- [6] Weisshaar, T.A. Morphing aircraft technology – new shapes for aircraft design, Multifunctional Structures/Integration of Sensors and Antennas, Meeting Proceedings, 2006, Neuilly-sur-Seine, France: RTO-MP-AVT-141.
- [7] Reich, G.W. and Sanders, B. Introduction to morphing aircraft research, *J Aircr*, 2007, **44**, (4), p 1059, doi: [10.2514/1.28287](https://doi.org/10.2514/1.28287).
- [8] Sanders, B., Eastep, F.E. and Forster, E. Aerodynamic and aeroelastic characteristics of wings with conformal control surfaces for morphing aircraft, *AIAA J*, 2003, **40**, (1), pp 94–99, doi: [10.2514/2.3062](https://doi.org/10.2514/2.3062).

- [9] Abdulrahim, M., Garcia, H., Ivey, G.F. and Lind, R. Flight testing a micro air vehicle using morphing for aeroservoelastic control, *45th AIAA/ASME/ASCE/AHS/ASC Structures, Structural Dynamics & Materials Conference, 19–22 April 2004, Palm Springs, California, AIAA 2004-1674*, doi: [10.2514/6.2004-1674](https://doi.org/10.2514/6.2004-1674).
- [10] Pendleton, E.W., Bessette, D., Field, P.B., Miller, G.D. and Griffin, K.E. Active aeroelastic wing flight research program: technical program and model analytical development, *J Aircr*, 2000, **37**, (4), pp 554–561, doi: [10.2514/2.2654](https://doi.org/10.2514/2.2654).
- [11] Culick, F.E.C. The wright brothers: first aeronautical engineers, *AIAA J.*, **41**, 2003, (6), pp 8–11, doi: [10.2514/2.2046](https://doi.org/10.2514/2.2046).
- [12] Vasista, S., Tong, L. and Wong, K. Realization of morphing wings: a multidisciplinary challenge, *J Aircr*, 2012, **49**, pp 11–28, doi: [10.2514/1.C031060](https://doi.org/10.2514/1.C031060).
- [13] Scherer, L.B. DARPA/AFRL/NASA smart wing second wind tunnel tests results, SPIE Conference on Industrial and Commercial Applications of Smart Structures Technologies, vol. 3674, pp 41–49, 1999, <https://doi.org/10.1117/12.351563>.
- [14] Vos, R., de Breuker, R., Barrett, R. and Tiso, P. Morphing wing flight control via postbuckled precompressed piezoelectric actuators, *J Aircr*, 2007, **44**, pp 1060–1068, doi: [10.2514/1.21292](https://doi.org/10.2514/1.21292).
- [15] Amendola, G., Dimino, I., Magnifico, M. and Pecora, R. Distributed actuation concepts for a morphing aileron device, *Aeronaut J*, 2016, **120**, (1231), pp 1365–1385, doi: [10.1017/aer.2016.64](https://doi.org/10.1017/aer.2016.64).
- [16] Voracek, D., Pendleton, E., Reichenbach, E., Griffin, K. and Welch, L. The active aeroelastic wing phase I flight research through January 2003, NASA/TM-2003-210741, 2003.
- [17] Phillips, W.F., Fugal, S. and Spall, R. Minimizing induced drag with wing twist, computational-fluid-dynamics validation, *J Aircr*, 2006, **43**, pp 437–444, doi: [10.2514/1.15089](https://doi.org/10.2514/1.15089).
- [18] Stanewsky, E. Adaptive wing and flow control technology, *Prog Aerosp Sci*, 2001, **37**, (7), pp 583–667, doi: [10.1016/S0376-0421\(01\)00017-3](https://doi.org/10.1016/S0376-0421(01)00017-3).
- [19] Moorhouse, D., Sanders, B., Spakovsky, M. and Butt, J. Benefits and design challenges of adaptive structures for morphing aircraft, *Aeronaut J*, 2006, **110**, (1105), pp 157–162, doi: [10.1017/S0001924000001135](https://doi.org/10.1017/S0001924000001135).
- [20] Phillips, W.F. Lifting-Line analysis for twisted wings and washout-optimized wings, *J Aircr*, 2004, **41**, (1), pp 128–136, doi: [10.2514/1.262](https://doi.org/10.2514/1.262).
- [21] Kaygan, E. and Gatto, A. Development of an active morphing wing with novel adaptive skin for enhanced aircraft control and performance, The Greener Aviation Conference, 11–13 October 2016, Brussels, Belgium, https://www.researchgate.net/publication/309727387_Development_of_an_Active_Morphing_Wing_with_Novel_Adaptive_Skin_for_Aircraft_Control_and_Performance
- [22] https://www.youtube.com/channel/UcvZxD2gXete5xF7_4gWFvRg
- [23] https://www.probuild-uk.co.uk/index.php?route=product/product&product_id=5354
- [24] Drela, M. and Youngren, H. *Athena Vortex Lattice, Software Package*, Massachusetts Inst. of Technology, Cambridge, MA, 2004.
- [25] Stanford, B., Abdulrahim, M., Lind, R. and Ifju, P.G. Investigation of membrane actuation for roll control of a micro air vehicle, *J Aircr*, 2007, **44**, pp 741–749, doi: [10.2514/1.25356](https://doi.org/10.2514/1.25356).
- [26] Chen, P.C., Sarhaddi, D., Jha, R., Liu, D.D., Griffin, K. and Yurkovich, R. Variable stiffness spar approach for aircraft manoeuvre enhancement using ASTROS, *J Aircr*, 2000, **37**, (5), pp 865–871, doi: [10.2514/2.2682](https://doi.org/10.2514/2.2682).
- [27] Lane, K.A., Marshall, D.D. and McDonald, R.A. Lift Superposition and aerodynamic twist optimization for achieving desired lift distributions, 48th AIAA Aerospace Sciences Meeting Including the New Horizons Forum and Aerospace Exposition, 2010, Orlando, Florida, AIAA 2010-1227, doi: [10.2514/6.2010-1227](https://doi.org/10.2514/6.2010-1227).
- [28] Martin, C.A., Kudva, J.N., Austin, F., Jardine, A.P. and Scherer, L.B. Smart materials and structures – smart wing, Northrop Grumman Corporation, Vol. 1, AFRL-ML-WP-TR-1999-4162, 1998.
- [29] Falca, L., Gomes, A.A. and Suleman, A. Aero-structural design optimization of a morphing wingtip, *J Int Mater Sys Struc*, 2011, **22**, pp 1113–1124, doi: [10.1177/1045389x11417652](https://doi.org/10.1177/1045389x11417652).
- [30] Gilyard, G.B. Flight-determined derivatives and dynamic characteristics of the CV-990 Airplane, NASA TN D-6777, 1972.