

x

*Looking into
Helicopters?*



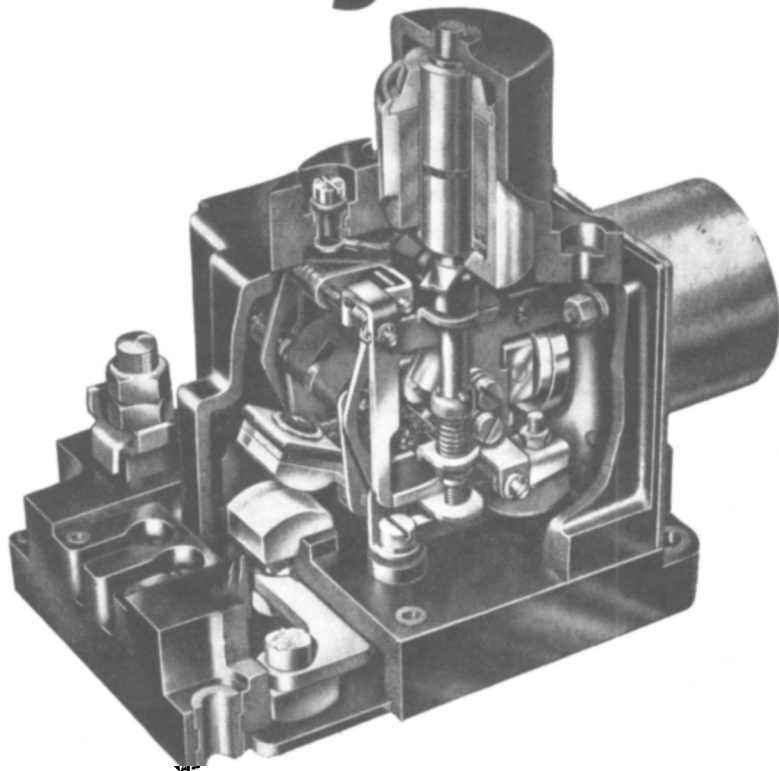
See

SAUNDERS-ROE

SAUNDERS ROE LTD (HELICOPTER DIVISION) EASTLEIGH SOUTHAMPTON

EQUIPMENT FOR ROTARY-WING AIRCRAFT

Switchgear

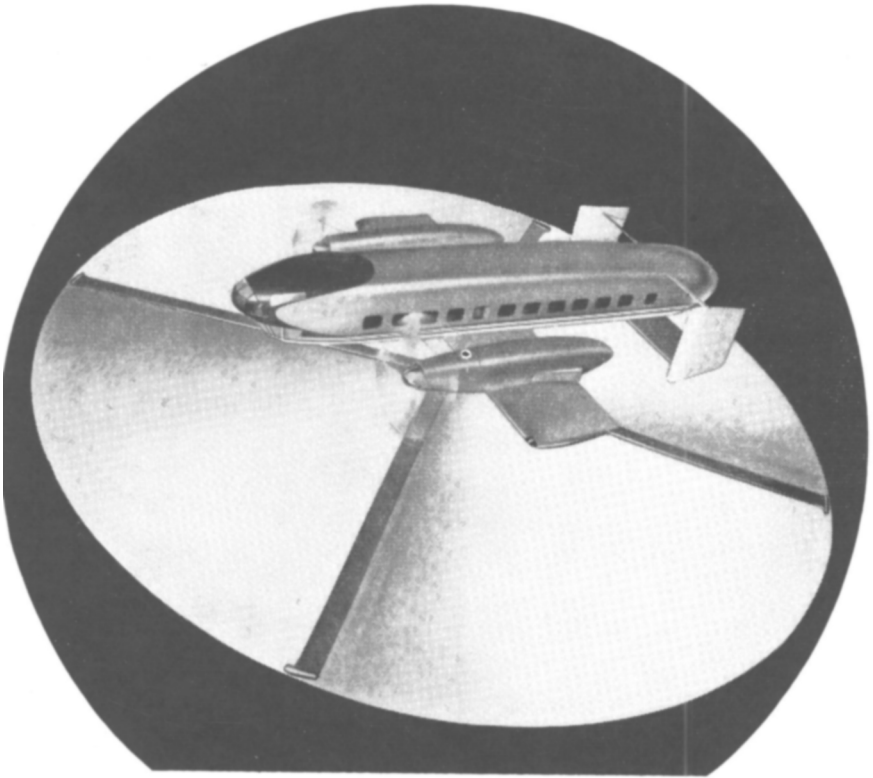


This unit is one of the wide range of switchgear, actuators, generators, starters and other equipment designed and manufactured by ROTAX for use in helicopters. Rotax service also includes full advisory facilities and a team of experienced engineers, ready to go anywhere—at anytime.

Complete Electrical Systems for Aircraft



ROTAX LIMITED WILLESDEN JUNCTION LONDON N W 10
Lucas Rotax (Australia) Pty Ltd Melbourne N 3 Australia
Lucas Rotax Ltd Scarborough Ontario Canada



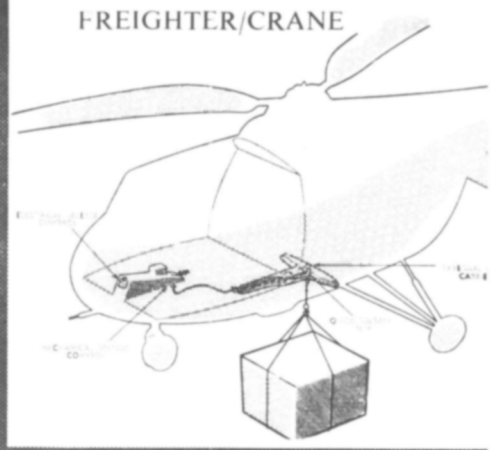
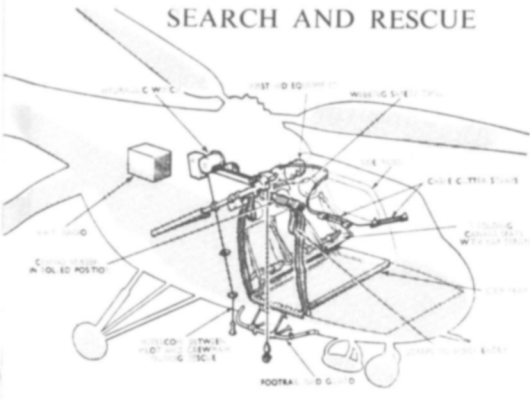
Lord Mancroft “ The Ministry of Supply have recently ordered a second Rotodyne prototype in order to accelerate this development, and we have high hopes that it will be able to compete successfully with any other helicopter in the world ”

Hansard 20 Oct 1954

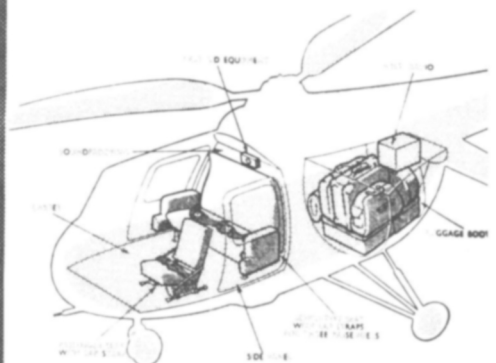
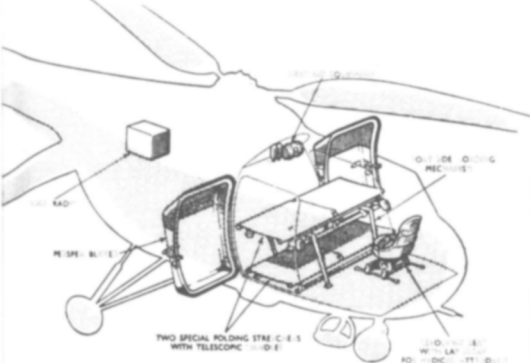
FAIREY

ROTODYNE

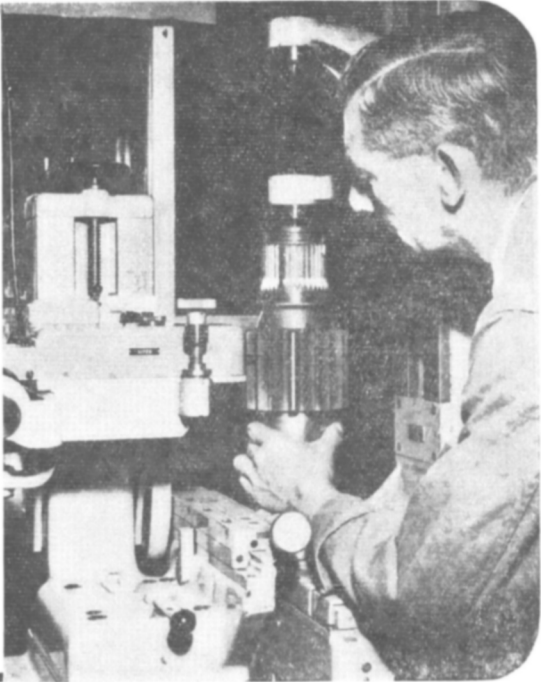
THE FAIREY AVIATION CO LTD HAYES MIDDLESEX




SYCAMORE MK4



The basic Sycamore helicopter is provided with all the fixed fittings needed to convert it to any of the four major rôles for which it is primarily designed. To equip the basic aircraft for any one of the rôles, or to change it from one to another, is a simple operation needing no elaborate equipment or special facilities.

<p>E. N. V. <i>Designers & Manufacturers of</i> Gears for Rotor Drives of Helicopters have unique facilities for the production of precision spur helical spiral bevel and hypoid gears with profile ground teeth</p> <p>E N V ENGINEERING CO LTD HYTHE ROAD WILLESDEN N W 10 Telephone LADbroke 3622-5</p>	
--	--

<p><i>The Council of The Helicopter Association of Great Britain wish to record their appreciation of Advertisers' support</i></p>	
<p><i>Redifon</i> FLIGHT SIMULATOR DIVISION KELVIN WAY CRAWLEY SUSSEX</p>	<p>SAUNDERS-ROE (HELICOPTER DIVISION) EASTLEIGH SOUTHAMPTON</p>
<p>ALVIS LIMITED  HOLYHEAD ROAD COVENTRY Telephone Coventry 5501</p>	<p>Tapered Roller Bearings in Helicopters <i>Made in England by</i> BRITISH TIMKEN LTD DUSTON, NORTHAMPTON and BIRMINGHAM</p>

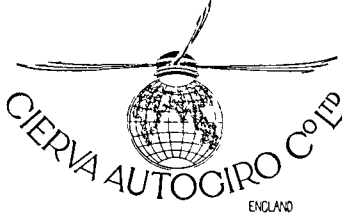
UNDERCARRIAGES
HYDRAULIC SYSTEMS
FUEL SYSTEMS
ELECTRICAL COMPONENTS

Dowty Equipment Ltd.
CHELTENHAM

— **Esso** —

AVIATION FUELS
AND LUBRICANTS

Pioneers of Rotating Wing Aircraft



Bristol

173 and 171 HELICOPTER

THE BRISTOL AEROPLANE
COMPANY LIMITED

DUNLOP

TYRES
WHEELS
& BRAKES



BRITISH MESSIER LTD
CHELTENHAM RD EAST GLOUCESTER

ELECTRO HYDRAULICS LIMITED



Undercarriages
Hydraulic
Electro Hydraulic and
Pneumatic Equipment

LIVERPOOL ROAD
WARRINGTON
Telephone Warrington 2244

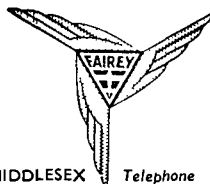
LAYRUB

Flexible Couplings

by

LAYCOCK
Engineering Ltd
SHEFFIELD

THE FAIREY AVIATION COMPANY LTD
ROTARY WING AIRCRAFT



HAYES MIDDLESEX Telephone Hayes 1800



Hordern-Richmond Ltd
MANUFACTURERS OF
Helicopter Rotor Blades

HYDULIGNUM WORKS HADDENHAM BUCKS
TELEPHONE AYLESBURY 1100 1102

KELVIN & HUGHES (AVIATION) LTD



NEW NORTH ROAD BARKINGSIDE ESSEX
 TEL HAINAULT 2601
 WINCHESTER ROAD BASINGSTOKE HANTS
 TEL BASINGSTOKE 690

MOLLART ENGINEERING CO LTD



KINGSTON BY PASS SURBITON SURREY
 Telephone Elmbridge 3352 3 4-5
 A M Gauge Test House Authority No 8975/31

SMITHS

SMITHS AIRCRAFT INSTRUMENTS LTD

THE
FAIREY 'ROTODYNE'

will be powered by two
 ELAND propeller turbines

by
NAPIER

SELF PRIMING PUMP AND
 ENGINEERING CO LTD



SLOUGH BUCKS Tel SLOUGH 23277

**Symbols of service to
 Aviation
 throughout the years**

AVIATION **BP** SERVICE

THE SPERRY GYROSCOPE CO
 LTD



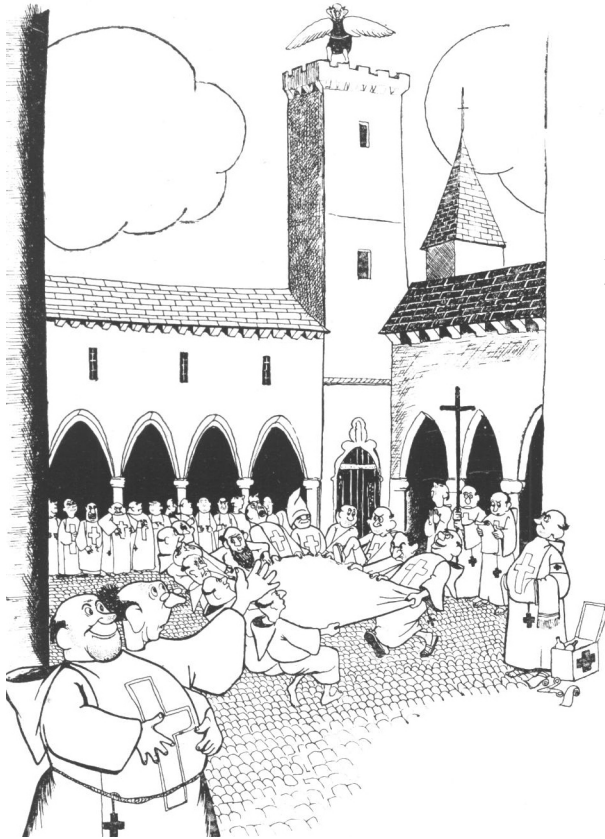
STANDARD TELEPHONES & CABLES
 LIMITED

**Standard
 Radio**

NEW SOUTHGATE LONDON N11
 Telephone Enterprise 1234

WESTLAND
 S 55 & S 51 HELICOPTERS

WESTLAND AIRCRAFT LTD YEovil ENGLAND



A page from
THE HISTOIRE DE LA
LOCOMOTION AERIENNE
Adapted from the French de
P Crochet-Damass Illustrated
par Philippe Féty avec permission

OLIVER DE MALMESBURY

FOR twenty years an English Benedictine monk called Oliver of Malmesbury secretly ransacked the works of Ovid for data on how Dædalus had made his wings. Faintly flushed with success he finally emerged from his cell one bright morning in 1060 and announcing that his prototype was at last coming out of Experimental prepared to make the initial test flight. Security measures of the utmost strictness had been enforced so there was an apprehensive buzzing of Benedictines as he climbed to the top of a tower, flapped his wings

executed a take off run of several yards and became more or less airborne at 0930 hours. Five seconds later still flapping he crashed in triumph through the roof of the monastery.

And from now on remarked the prior severely as Oliver came to you can just sit down like everybody else and illuminate some manuscripts. The chronicles of the monastery wise after the event observe that things might have been very different if Oliver had taken the obvious precaution of fastening it to his feet. They might indeed

Today genius gets results by remembering that it pays to say



AVIATION FUELS AND LUBRICANTS

ESSO PETROLEUM COMPANY LIMITED 36 QUEEN ANNES GATE LONDON SW1

MADE IN ENGLAND

TIMKEN

TAPERED-ROLLER BEARINGS IN HELICOPTERS

*Illustration by courtesy of
The Bristol Aeroplane Company Limited*

BRITISH TIMKEN LTD.
DUSTON, NORTHAMPTON, & BIRMINGHAM

REGD. TRADE MARK • TIMKEN

